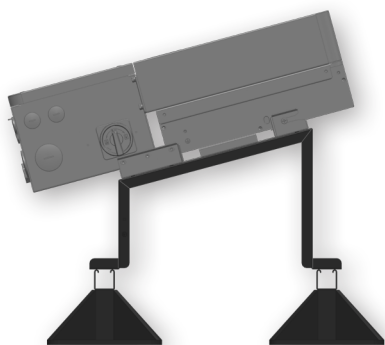


ROOF-MOUNT KIT

FOR PVI-25TL-480 INVERTER

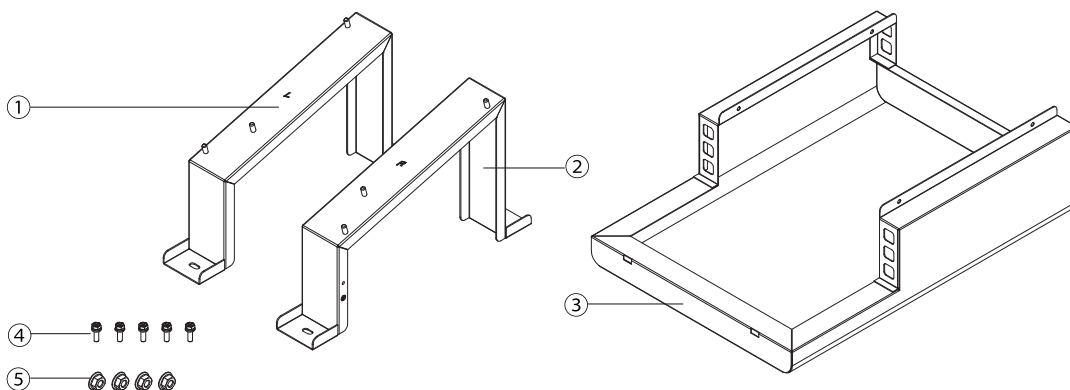


This simple, robust Roof-Mount Kit for the Solectria® PVI 25TL-480, three-phase transformerless inverters makes installation on rooftops quick and easy.



The Roof-Mount Kit includes a shade cover and all necessary hardware to secure the inverter at a shallow, 15-degree tilt angle.

ROOF KIT CONTENTS



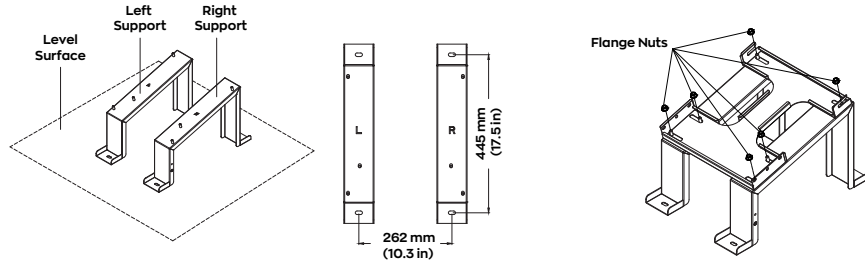
No.	Description	Qty
①	Left-side support (SUS304 Stainless Steel)	1
②	Right-side support (SUS304 Stainless Steel)	1
③	Shade cover (AL5052-H32 Aluminum)	1
④	Fasteners for shade cover and equipment ground	5
⑤	Flange nuts for securing inverter mounting bracket to supports	6

ROOF-MOUNT KIT INSTALLATION

1

INSTALL MOUNTING BRACKET

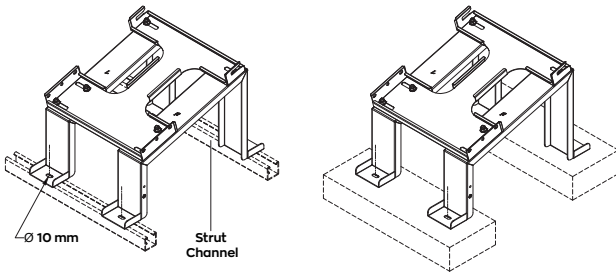
Install the inverter's mounting bracket onto the supports (fasteners provided)



2

INSTALL ASSEMBLY

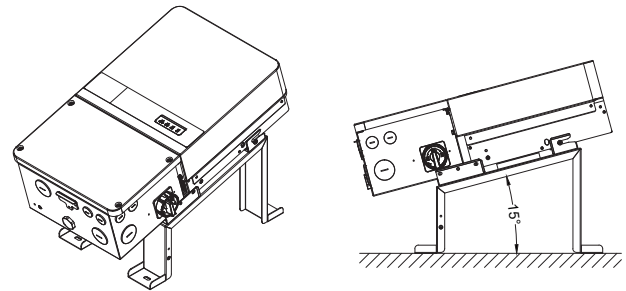
Install the assembly onto strut or blocks (as appropriate, supplied by the user)



3

INSTALL INVERTER

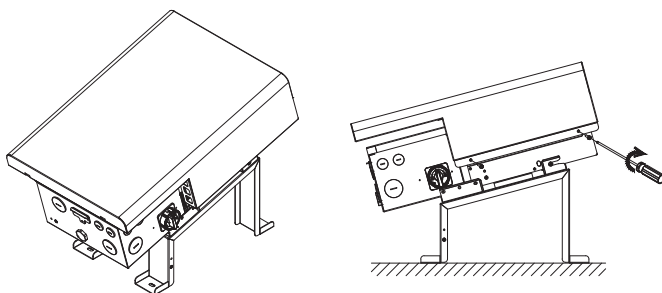
Install the inverter onto the assembly (see separate inverter installation instructions)



4

INSTALL SHADE COVER

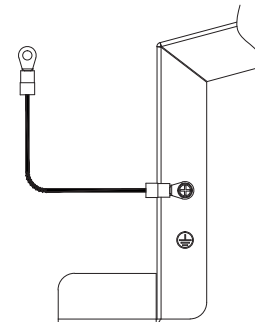
Install the shade cover onto the inverter



5

INSTALL EQUIPMENT GROUND

Connect the rack to the inverter equipment ground



IT'S PERSONAL