

6

5

4

3

2

1

PRODUCT MASS

INSTALLED MASS:	132	KG	290	LB
SHIPPING MASS:	157	KG	346	LB

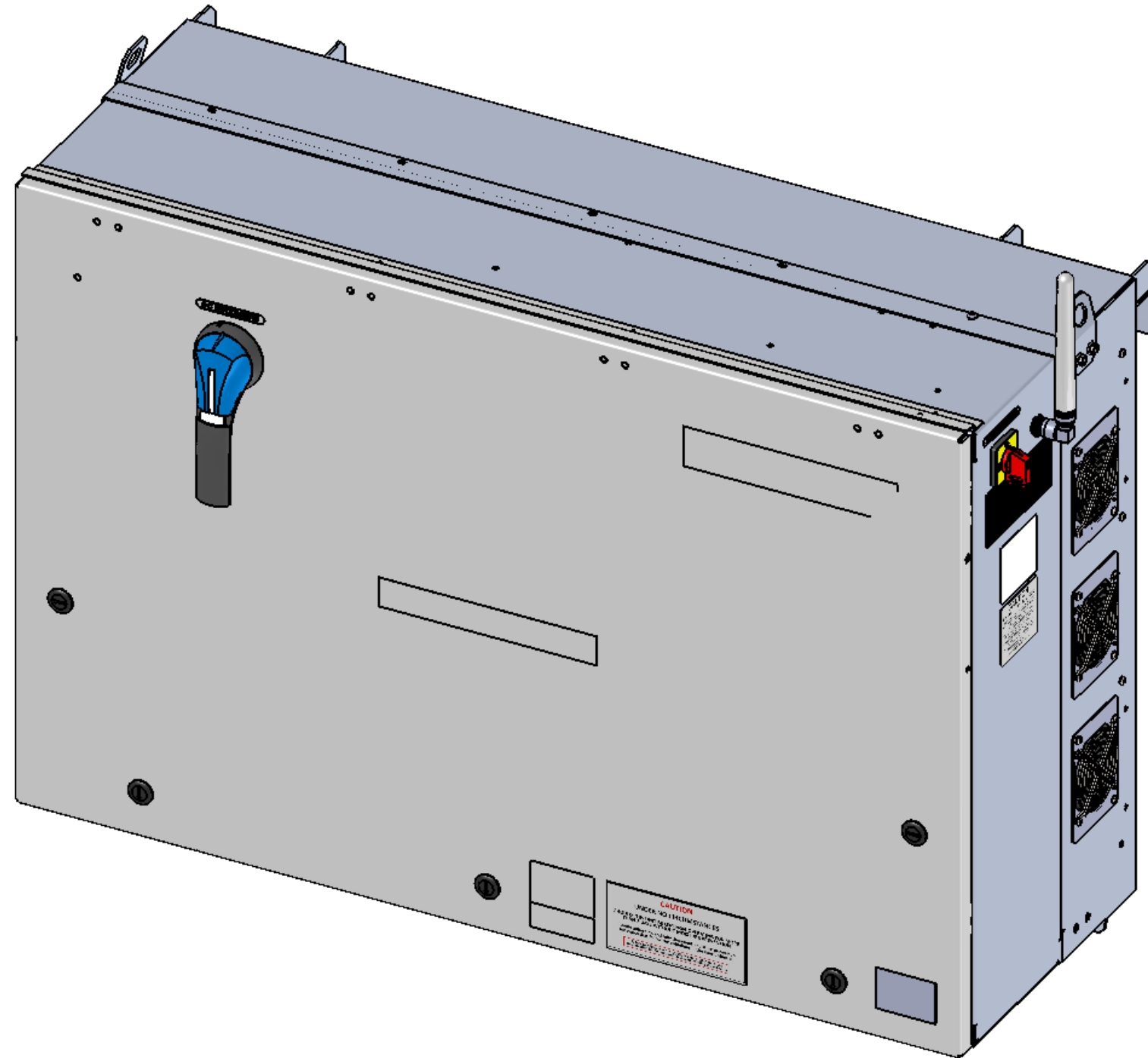
PACKAGING DIMENSIONS (L X W X H)

INVERTER PACKAGING	[46 x 40 x 30] 1168 x 1006 x 756
PALLET	[46 x 40 x 10] 1168 x 1006 x 254

SHIPPING MASS FOR ONE COMPLETE UNIT PACKAGED ON A PALLET

REVISIONS

REV	EC#	DESCRIPTION	DRAWN	DATE
0	-	• INITIAL RELEASE	A. MARINELLA	7/8/2022
1	-	• UPDATED SHEET 4	C. ROYER	12/8/2023



D
C
B
A

D
C
B
A

GENERAL TOLERANCES: X ± X.X ±.1 X.XX ±.02 X.XXX ±.005 X.XXXX ±.0010 ANGLES ±1.0	BREAK ALL SHARP EDGES AND DEBURR DRAWING PER: ASME Y14.5M-1994 3RD ANGLE PROJECTION SURFACE FINISH 125/	DESIGNED	A. MARINELLA	6/1/2022	YASKAWA SOLECTRIA SOLAR COMMERCIAL CONFIDENTIAL CUSTOMER INTERFACE DRAWING, XGI 1500-250 ITEM NUMBER: CAD-900554 SIZE: B DRAWING NUMBER: DOCR-071071 REV: 1 SCALE: 1:6 SHEET 1 OF 5
		DRAWN	A. MARINELLA	7/8/2022	
		CHECKED			
		APPROVED			
 .04 φ.02 A B C		MATERIAL	N/A		
		FINISH	N/A		
		MASS	131541.82 lbs		
		FIRST USED	XGI 1500-250		
		DIMENSIONS ARE IN INCHES	DO NOT UPDATE MANUALLY	DO NOT SCALE	

THIS DOCUMENT AND INFORMATION CONTAINED IN IT ARE CONFIDENTIAL AND CANNOT BE COPIED OR DISCLOSED IN WHOLE OR IN PART WITHOUT EXPRESSED WRITTEN CONSENT OF YASKAWA SOLECTRIA SOLAR

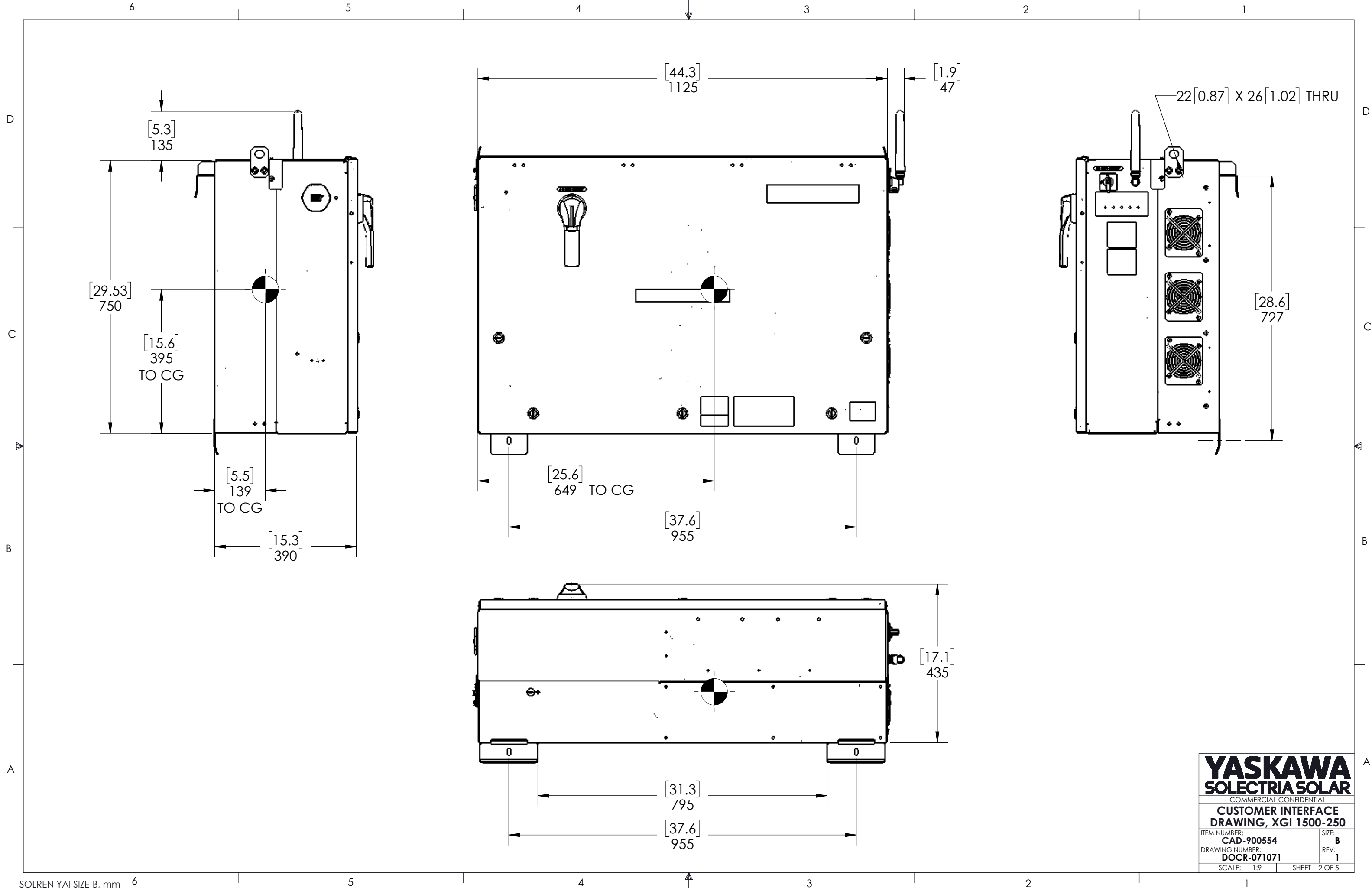
5

4

3

2

1



YASKAWA
SOLECTRIA SOLAR
COMMERCIAL CONFIDENTIAL
CUSTOMER INTERFACE
DRAWING, XGI 1500-250

ITEM NUMBER: CAD-900554	SIZE: B
DRAWING NUMBER: DOCR-071071	REV: 1
SCALE: 1:9	SHEET 2 OF 5

6

5

4

3

2

1

D

D

C

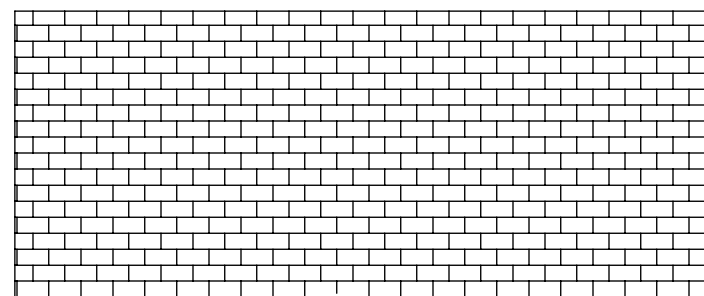
C

B

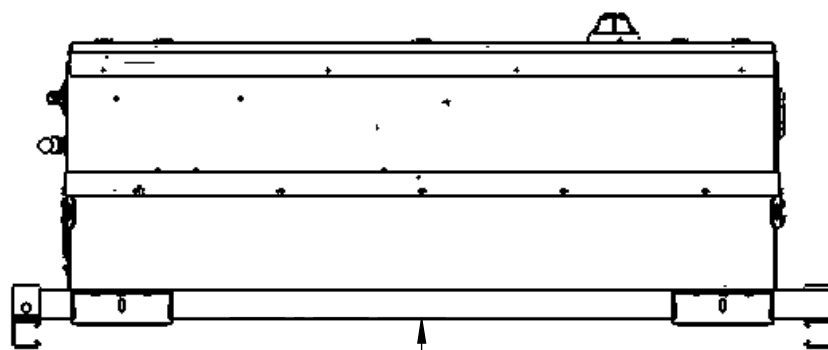
B

A

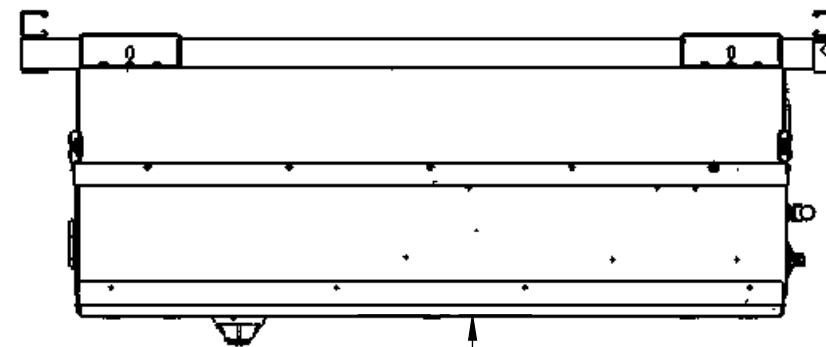
A



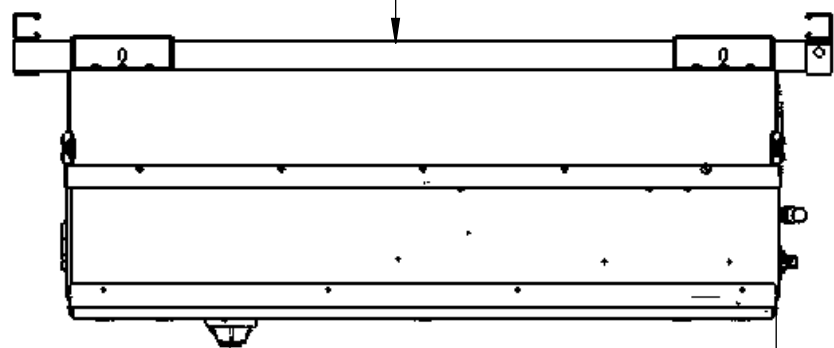
MIN
[24.0]
610



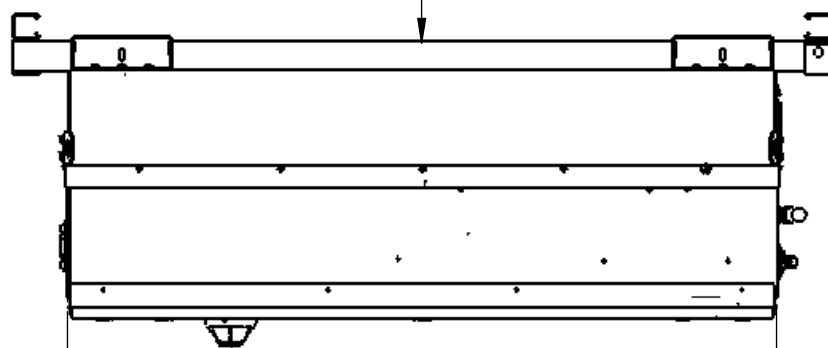
MIN
[24.0]
610



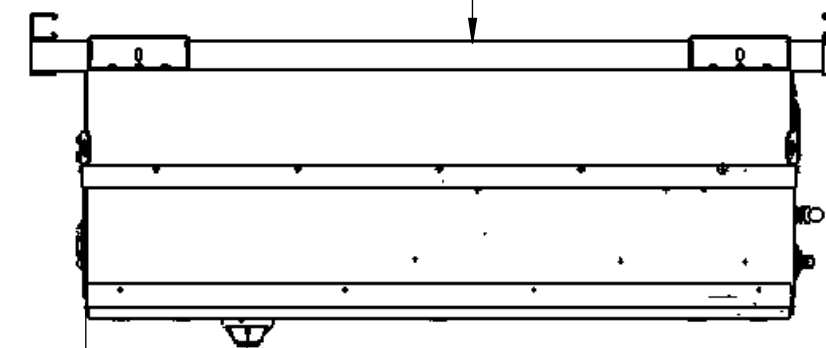
MIN
[36.0]
915



MIN
[24.0]
610



MIN
[24.0]
610



6

5

4

3

2

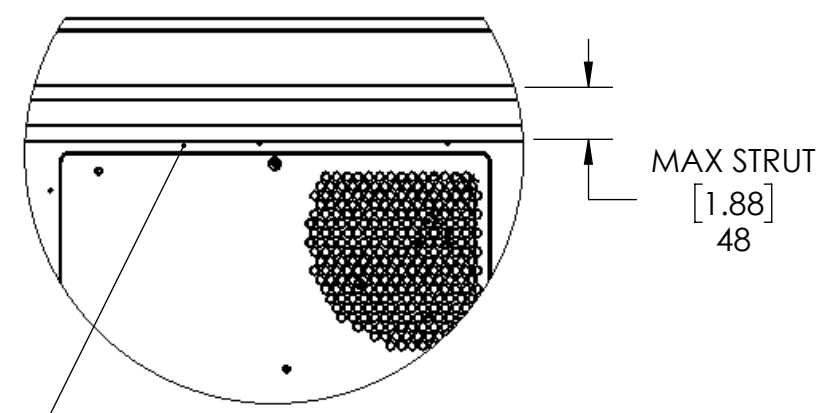
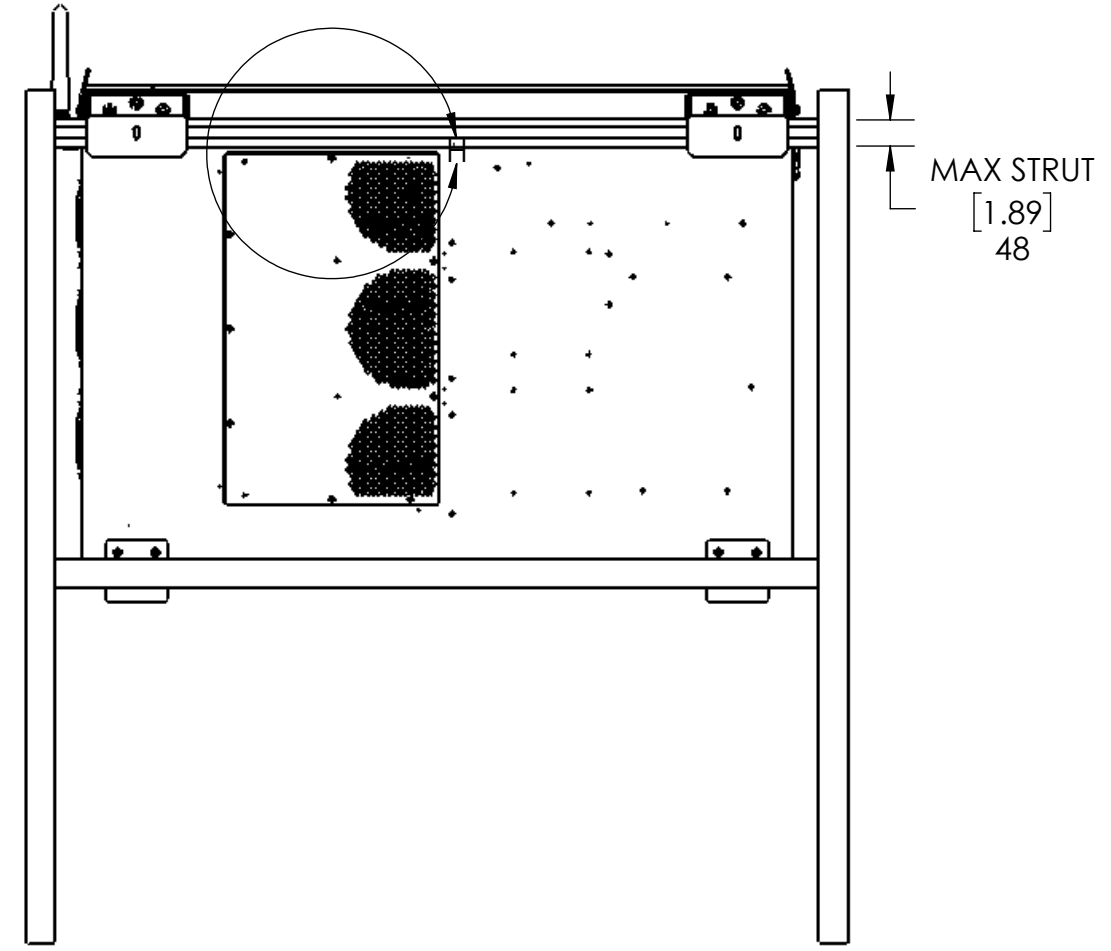
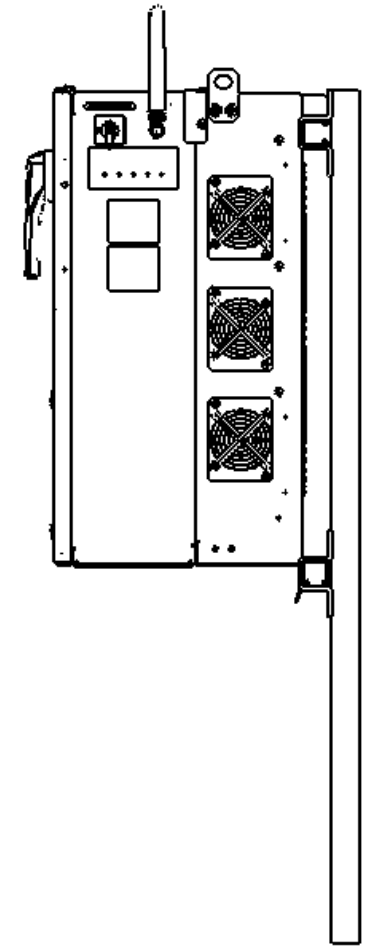
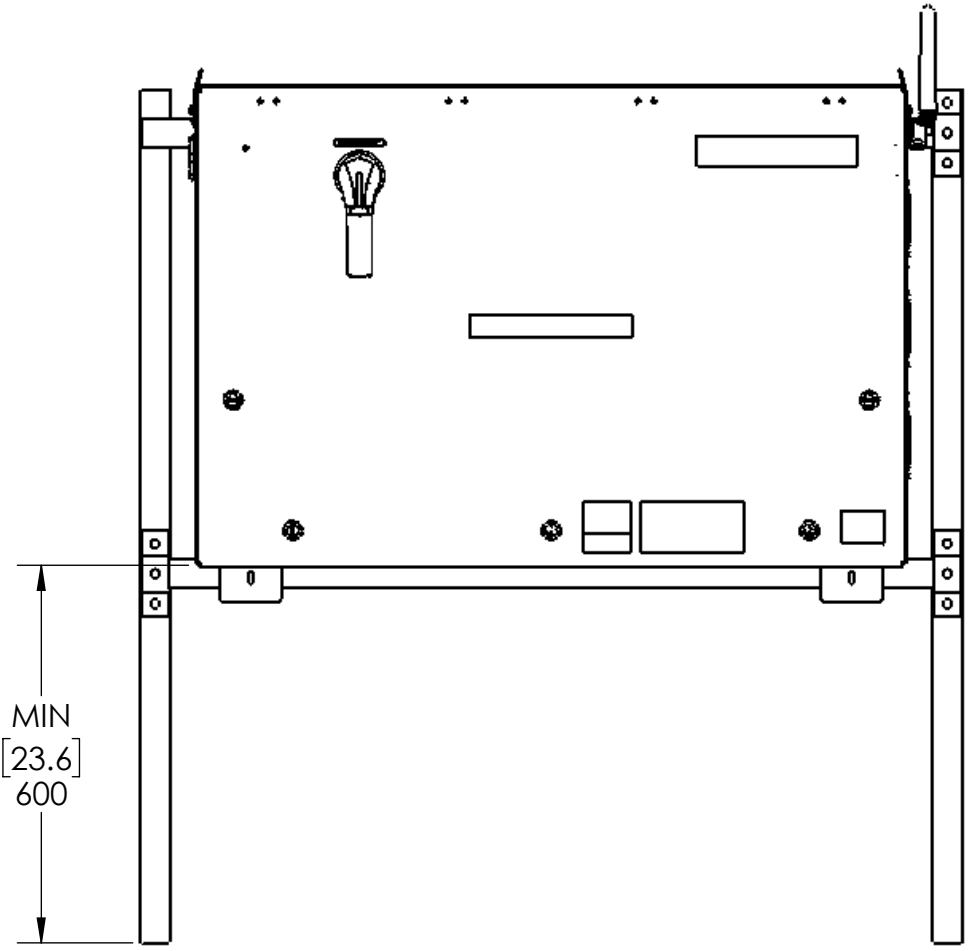
1

YASKAWA
SOLECTRIA SOLAR
COMMERCIAL CONFIDENTIAL
CUSTOMER INTERFACE
DRAWING, XGI 1500-250

ITEM NUMBER: CAD-900554	SIZE: B
DRAWING NUMBER: DOCR-071071	REV: 1
SCALE: 1:12	SHEET 3 OF 5

6 5 4 3 2 1

D
C
B
A



RACK MUST NOT BLOCK REAR ACCESS PANEL

DETAIL H
SCALE 1 : 6

YASKAWA
SOLECTRIA SOLAR
COMMERCIAL CONFIDENTIAL

**CUSTOMER INTERFACE
DRAWING, XGI 1500-250**

ITEM NUMBER: CAD-900554	SIZE: B
DRAWING NUMBER: DOCR-071071	REV: 1
SCALE: 1:12	SHEET 4 OF 5

SOLREN YAI SIZE-B, mm 6 5 4 3 2 1

6

5

4

3

2

1

D

C

B

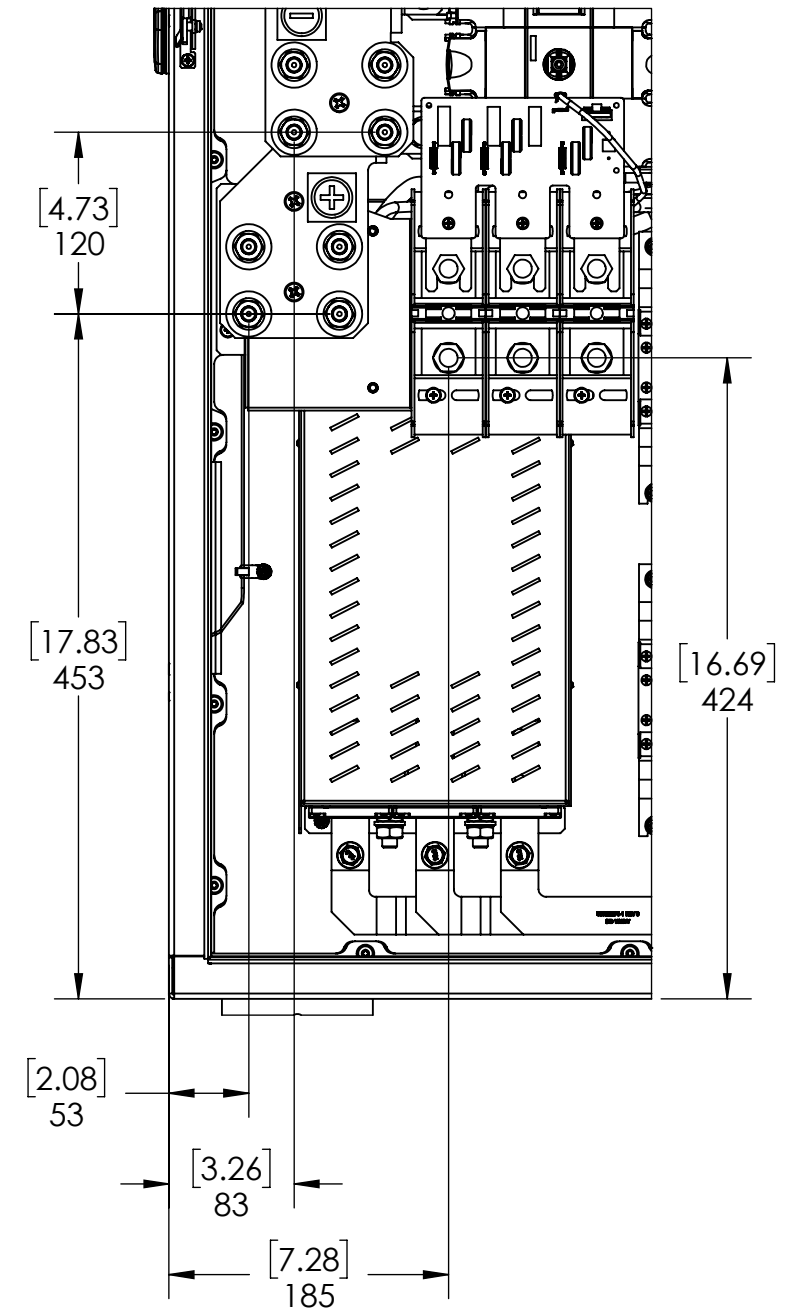
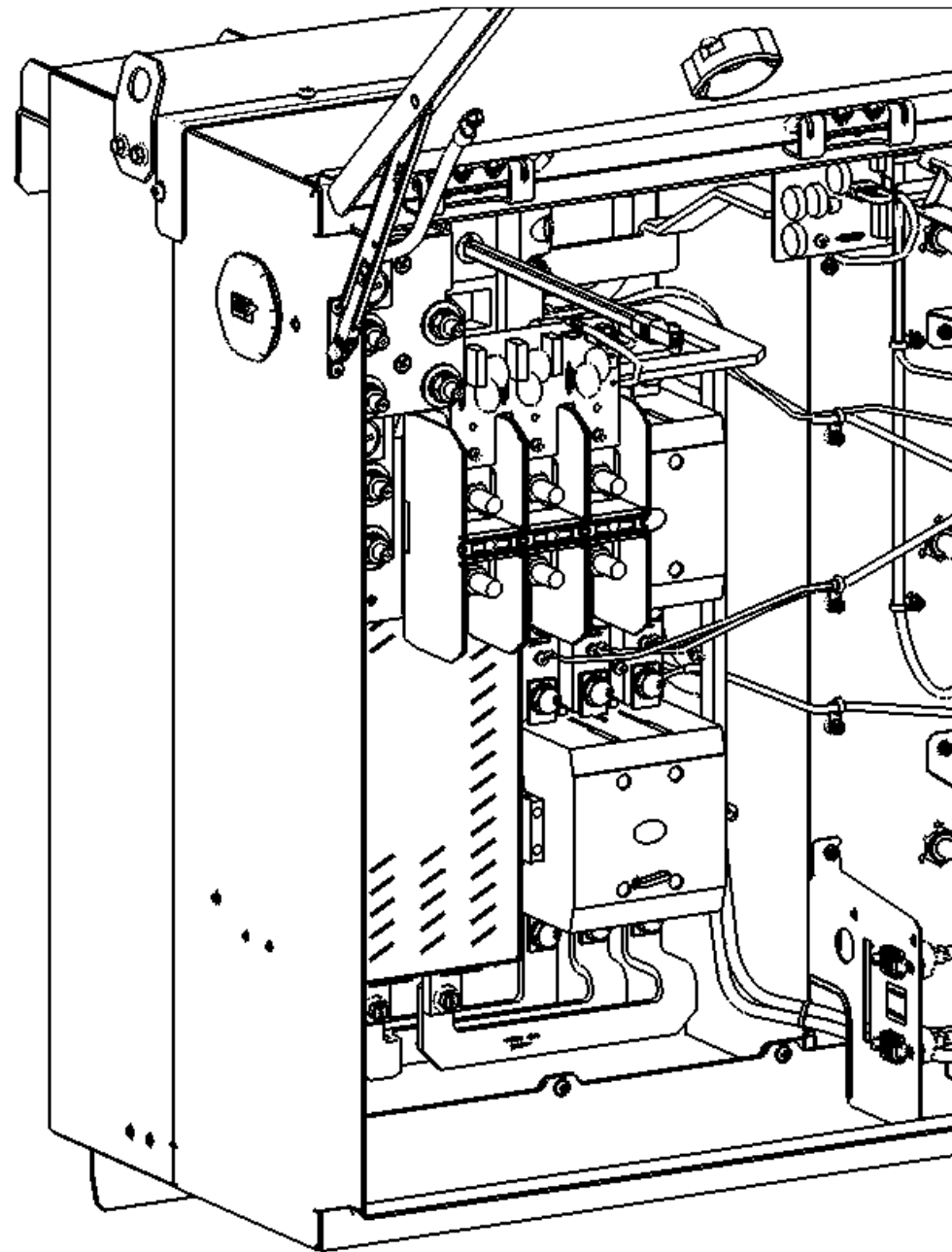
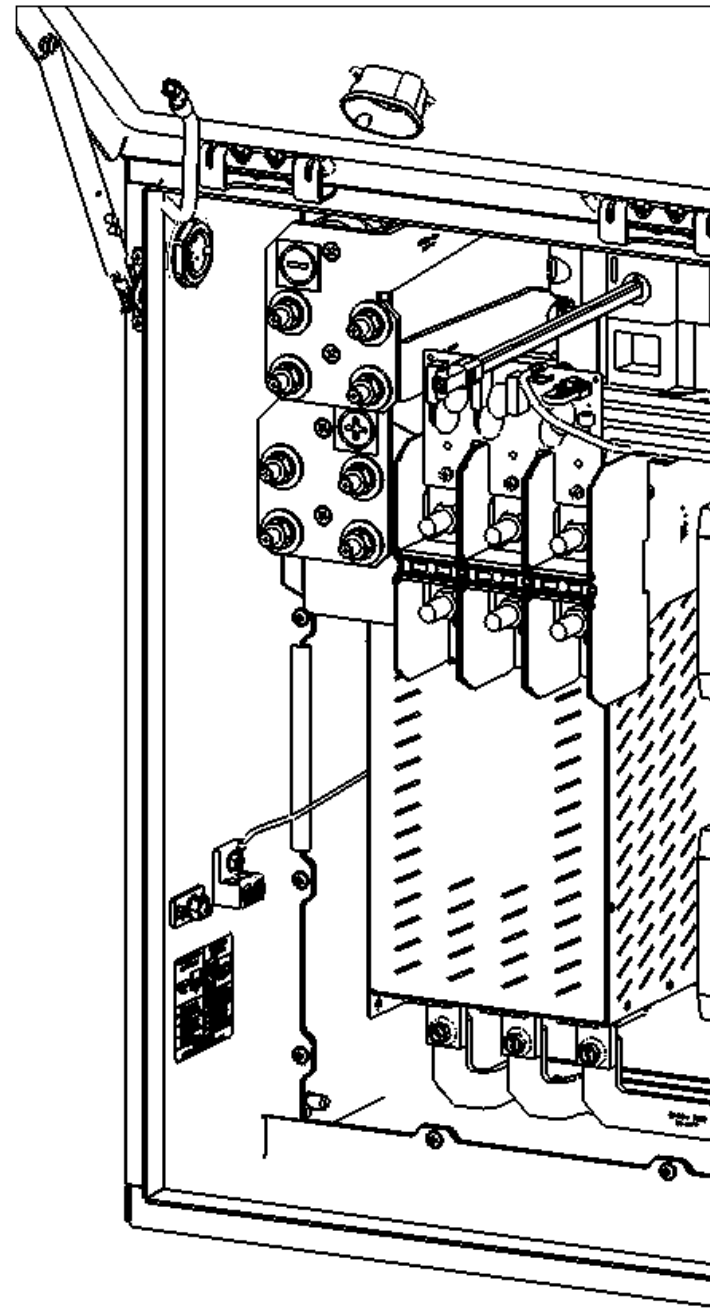
A

D

C

B

A



YASKAWA
SOLECTRIA SOLAR
 COMMERCIAL CONFIDENTIAL
CUSTOMER INTERFACE
DRAWING, XGI 1500-250

ITEM NUMBER: CAD-900554	SIZE: B
DRAWING NUMBER: DOCR-071071	REV: 1
SCALE: 1:5	SHEET 5 OF 5