

DISCOM

Disconnecting String Combiners

Features

- Made in the USA with global components
- Buy American Act (BAA) compliant
- Designed for 1000V arrays with grounded PV source circuits
- Positive pole fused and switched
- 8, 12, 16, 20, 24, and 30 fuse positions
- 15 A fuses included
- Locking mechanism
- Connection plates for compression terminals
- 90°C terminal rating

Options

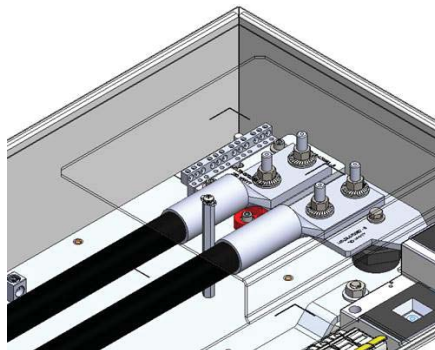
- Surge arrestor, both polarities
- Output studs for customer-supplied field crimp lug



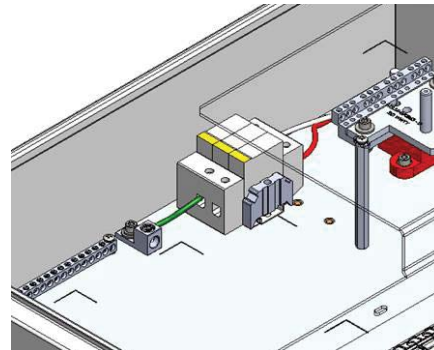
Yaskawa Solectria Solar's 1000V string combiners provide the best quality, durability, ease-of-installation, mounting flexibility, and safety and protection features. Choose from models with 8 to 30 fused positions, provided with 15 A fuses. Enclosures options include powder-coated steel (Type 4) and fiberglass (Type 4X). Both versions feature the highest quality and durability in the industry today. All Yaskawa Solectria Solar combiners are Made in the USA with global components and compliant with the Buy American Act.

Specifications

Number of Fused Inputs	8	12	16	20	24	30
Fuse Rating	15 A					
DC Switch Rating	250 A			400 A		
Input Wire Range	14 - 6 AWG					
Output Wire Range (Standard Mechanical Terminal)	6 AWG - 350 kcmil Option: (2) 1/0 AWG - 300 kcmil			(2) 1/0 AWG - (2) 600 kcmil		
Maximum Voltage	1000 Vdc					
Maximum Current	96 A	144 A	192 A	240 A	288 A	360 A
Operating Temperature Range	-40°F to +122°F (-40°C to +50°C)					
Mounting Locations	Indoor, Outdoor, Wall, Array, Rooftop - Vertical, Horizontal, or Angled					
Enclosure						
Enclosure Finish & Rating	Polyester Powder-Coated Steel: Type 4 or Fiberglass: Type 4X					
Dimensions (H x W x D)	20 in. x 16 in. x 6 in. (508 mm x 406 mm x 152 mm)		24 in. x 20 in. x 6 in. (610 mm x 508 mm x 152 mm)		30 x 24 x 8 in. (762 x 610 x 203 mm)	
	Fiberglass 20 in. x 16 in. x 8 in. (508 mm x 406 mm x 203 mm)		Fiberglass 24 in. x 20 in. x 8 in. (610 mm x 508 mm x 203 mm)		Fiberglass 30 x 24 x 8 in. (762 x 610 x 203 mm)	
Weight	Polyester Powder-Coated Steel 29 lbs (13.2 kg) Fiberglass 26 lbs (11.8 kg)		Polyester Powder-Coated Steel 36 lbs (16.3 kg) Fiberglass 29.3 lbs (13.3 kg)		Polyester Powder-Coated Steel 75 lbs (34 kg) Fiberglass 56 lbs (25.4 kg)	
Testing & Certifications						
Safety Listings & Certifications	UL 1741, CSA C22.2#107.1					
Testing Agency	ETL					
Warranty						
Standard and Options	5 Years					
Options						
Output Studs for Customer-Supplied Field Crimp Lug	Available for all models					
DC Surge Protection	Available for all models					



Output Studs for Customer-Supplied Field Crimp Lug
(1 or 2, 600kcmil per pole, 12-30 fuse; 1, 750kcmil per pole in 30" x 24" enclosure)



Surge arrester option

SOLECTRIA SOLAR

Yaskawa Solectria Solar
360 Merrimack Street
Lawrence, MA 01843
solectria.com

1-978-683-9700
inverters@solectria.com

DOCR-070250-N | November 2019
© 2019 Yaskawa Solectria Solar

YASKAWA