



# ARCCOM

## FEATURES

- Compliant with NEC 2014 690.11 & 690.12 arc-fault and rapid shutdown requirements
- Compatible with all Solectria three-phase central inverters (PVI 50-100KW, SGI 225-500PE, SGI 500XT, SGI 500/750XTM)
- String level arc-fault detection
- Remote shutdown
- Contactor disconnect
- Audible, LED, and dry contact indicators
- Multiple fuse sizes
- Switch locking mechanism
- Lowest power consumption in the industry
- AC or DC control power

## OPTIONS

- Type 4X fiberglass enclosure
- Type 4X 316 stainless steel enclosure
- Connection plates for compression terminals
- Surge arrestor (600 or 1000 V)
- Multi-contact MC4 or Amphenol Helios H4 PV connectors

## ADVANCED STRING COMBINERS

Yaskawa - Solectria Solar's ARCCOM offers customers the best quality, ease of installation, mounting flexibility, safety and protection features. It is compliant with NEC 2014 arc-fault and rapid shutdown requirements and contains a contactor disconnect, lockable switch and true string level arc-fault protection, allowing it to detect and interrupt a series arc. It is also built and designed for wide temperature ranges and rugged conditions. All components are vetted for highest reliability through Highly Accelerated Life Testing (HALT). The ARCCOM also features standard oversized compression lugs that allow for long-run output conductors and multiple conduit entry locations so it can be mounted vertically or horizontally - thus eliminating the need for labor-intensive conduit bends. Additional options include surge arrestors, MC4 & H4 PV connectors and connector plates for those installers who prefer compression terminals for oversized output conductors. The ARCCOM is compatible with all Yaskawa - Solectria Solar three-phase central inverters (PVI 50-100KW, SGI 225-500PE, SGI 500XT, SGI 500/750XTM).

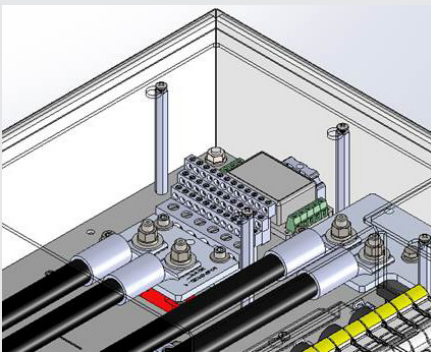


## ARCCOM SPECIFICATIONS

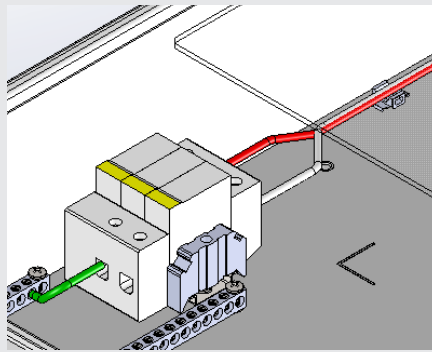
Number of Fused Inputs	8	12	16	24
Input Wire Range	12-8 AWG			
Output Wire Range* (mechanical terminal)	12-8 AWG			
Single Conductor				
Copper Conductors	1AWG - 600kcmil	3/0AWG - 600kcmil	250kcmil - 600kcmil	500kcmil - 600kcmil
Aluminum Conductors	1/0AWG - 600kcmil	4/0AWG - 600kcmil	350kcmil - 600kcmil	<i>Not Allowed</i>
Two Parallel Conductors				
Copper Conductors	1/0AWG - 600kcmil	1/0AWG - 600kcmil	1/0AWG - 600kcmil	3/0AWG - 600kcmil
Aluminum Conductors	1/0AWG - 600kcmil	1/0AWG - 600kcmil	1/0AWG - 600kcmil	4/0AWG - 600kcmil
Maximum Voltage	600 or 1000 VDC			
Maximum Continuous Current	96 A	144 A	192 A	288 A
Available String Fuses	4A, 6A, 8A, 10A, 12A, 15A			
Operating Temperature	-40°F to +122°F (-40°C to +50°C)			
Mounting Locations	Indoor, Outdoor, Wall, Array, Rooftop - Vertical, or Horizontal			
Inverter Compatibility	PVI 50-100KW, SGI 225-500PE, SGI 500XT, SGI 500/750XTM			
<b>Certifications</b>				
Safety Listings & Certifications	UL 1741, CSA C22.2#107.1, UL 1699B			
Certification Agency	ETL			
<b>Warranty</b>				
Standard	5 year			
<b>Power Supply/Signals</b>				
Control Power**	120-277 VAC or 24 VDC / 0.32 A (max)			
Dry Contact Arc-Fault Detection	24 V / 5 A rated			
<b>Enclosure</b>				
Dimensions (H x W x D)	24 in. x 20 in. x 7 in. (610 mm x 508 mm x 178 mm)			
Weight				
Polyester Powder Coated Steel	42 lbs (19 kg)	43 lbs (19.5 kg)	44 lbs (20 kg)	44 lbs (20 kg)
316 Stainless Steel	42 lbs (19 kg)	43 lbs (19.5 kg)	44 lbs (20 kg)	44 lbs (20 kg)
Fiberglass	35.3 lbs (16 kg)	36.3 lbs (16.5 kg)	37.3 lbs (17 kg)	37.3 lbs (17 kg)
Enclosure Rating	Type 4; Optional Type 4X			
Enclosure	Polyester powder coated steel; Optional 316 stainless steel or fiberglass			

\*Optional compression terminal plates for output terminals (1AWG-500kcmil, one or two per pole) also available

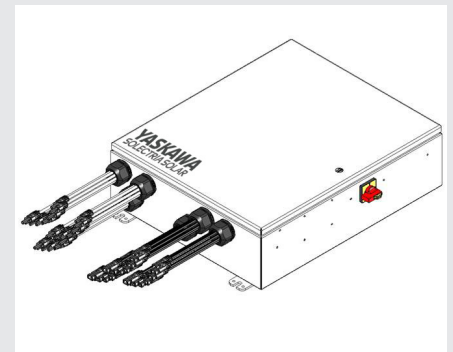
\*\*External Control Power REQUIRED for all ARCCOM units. Each ARCCOM contains an AC/DC power supply. The customer needs to supply external control power 100-277VAC to the AC/DC power supply. If a customer would like to use external 24VDC Control Power instead, the internal control power from the AC/DC power supply to the main electronics board must be disconnected from the main electronics board. See the Installation and Operations Manual for full details.



Connection plate option for customer provided compression terminal (1 or 2, 500kcmil per pole)



Surge option (600 or 1000 VDC)



MC4 / H4 PV connector option