

DISCOM

Disconnecting String Combiners

Features

- Made in the USA with global components
- Buy American Act (BAA) compliant
- Designed for 1000V arrays with grounded PV source circuits
- Positive pole fused and switched
- 8, 12, 16, 20, 24, and 30 fuse positions
- 15 and 20 A fuse options
- Locking mechanism
- Connection plates for compression terminals
- 90°C terminal rating

Options

- Surge arrestor, both polarities
- For features not listed, please inquire



Yaskawa Solectria Solar's 1000V string combiners provide the best quality, durability, ease-of-installation, mounting flexibility, and safety and protection features. Choose from models with 8 to 30 fused positions and either 15 A or 20 A fuses. Enclosures options include powder-coated steel (Type 4) and fiberglass (Type 4X). Both versions feature the highest quality and durability in the industry today. All Yaskawa Solectria Solar combiners are Made in the USA with global components and compliant with the Buy American Act.

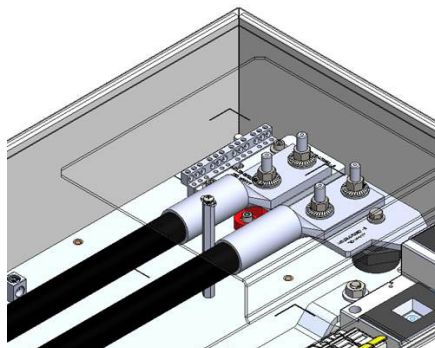
Made in the USA



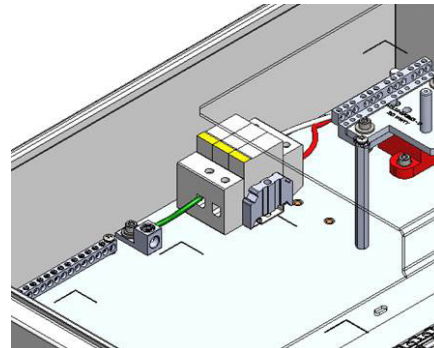
with global components

Specifications

Number of Fused Inputs	8	12	16	20	24	30
Fuse Rating	15 or 20 A					
DC Switch Rating	250 A				400 A	
Input Wire Range	14 - 6 AWG					
Output Wire Range (Standard Mechanical Terminal)	6 AWG - 350 kcmil Option: (2) 1/0 AWG - 300 kcmil				(2) 1/0 AWG - (2) 600 kcmil	
Maximum Voltage	1000 Vdc					
Maximum Current	96 A	144 A	192 A	240 A	288 A	360 A
Operating Temperature Range	-40°F to +122°F (-40°C to +50°C)					
Mounting Locations	Indoor, Outdoor, Wall, Array, Rooftop - Vertical, Horizontal, or Angled					
Enclosure						
Enclosure Finish & Rating	Polyester Powder-Coated Steel: Type 4 or Fiberglass: Type 4X					
Dimensions (H x W x D)	Polyester Powder-Coated Steel		Fiberglass			
	20 in. x 16 in. x 6 in. (508 mm x 406 mm x 152 mm)		24 in. x 20 in. x 6 in. (610 mm x 508 mm x 152 mm)		30 x 24 x 8 in. (762 x 610 x 203 mm)	
	20 in. x 16 in. x 8 in. (508 mm x 406 mm x 203 mm)		24 in. x 20 in. x 8 in. (610 mm x 508 mm x 203 mm)		30 x 24 x 8 in. (762 x 610 x 203 mm)	
Weight	Polyester Powder-Coated Steel		Fiberglass			
	29 lbs (13.2 kg)		36 lbs (16.3 kg)		75 lbs (34 kg)	
	26 lbs (11.8 kg)		29.3 lbs (13.3 kg)		56 lbs (25.4 kg)	
Testing & Certifications						
Safety Listings & Certifications	UL 1741, CSA C22.2#107.1					
Testing Agency	ETL					
Warranty						
Standard and Options	5 Years					
Options						
Output Studs for Customer-Supplied Field Crimp Lug	Available for all models					
DC Surge Protection	Available for all models					



Output Studs for Customer-Supplied Field Crimp Lug
(1 or 2, 600kcmil per pole, 12-30 fuse; 1, 750kcmil per pole in 30" x 24" enclosure)



Surge arrester option

SOLECTRIA SOLAR

Yaskawa Solectria Solar
360 Merrimack Street
Lawrence, MA 01843
solectria.com

1-978-683-9700
inverters@solectria.com

DOCR-070250-M | August 2018
© 2018 Yaskawa Solectria Solar

YASKAWA