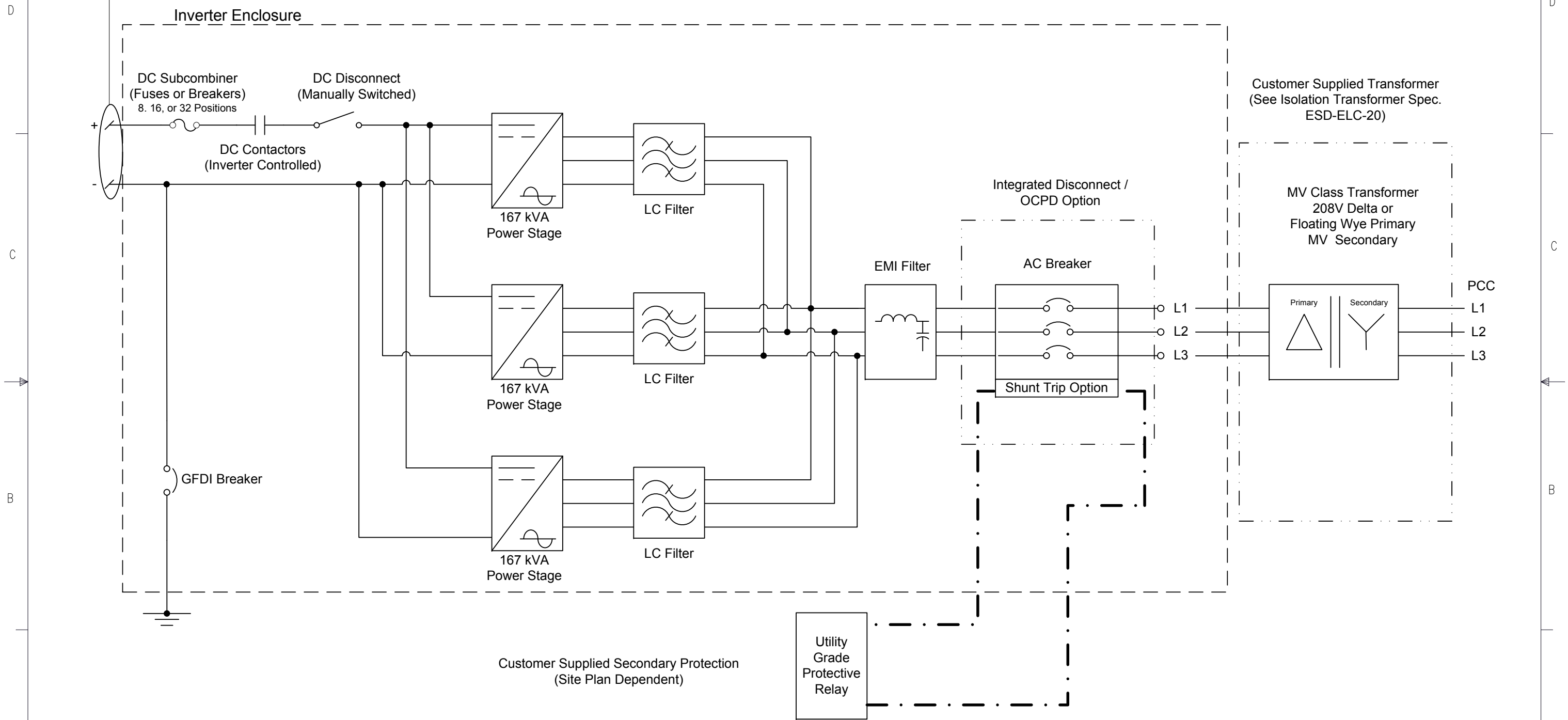



REVISIONS				
REV	EC #	DESCRIPTION	DRAWN	DATE
A	1019	INITIAL RELEASE	J.FILLION	11/14/2014

Typical Internal Circuit Diagram for Solectria SGI 500XT Grid-Tied Inverters



Customer Supplied Secondary Protection
(Site Plan Dependent)

Utility
Grade
Protective
Relay

DESIGNED	J. FILLION	11-14-14	 WWW.SOLECTRIA.COM						
DRAWN	J. FILLION	11-14-14							
ME CHECKED									
EE CHECKED									
COMMERCIAL CONFIDENTIAL									
THE INFORMATION CONTAINED IN THIS DRAWING IS THE SOLE PROPERTY OF SOLECTRIA RENEWABLES. ANY REPRODUCTION IN PART OR AS A WHOLE WITHOUT THE WRITTEN PERMISSION OF SOLECTRIA IS PROHIBITED. UNCONTROLLED COPY, REFER TO THE SOLECTRIA RENEWABLES CONTROLLED DOCUMENT DATABASE FOR VERIFICATION OF CURRENT REVISION LEVEL.									
DIMENSIONS ARE IN	DO NOT UPDATE MANUALLY	DO NOT SCALE	<table border="1"> <tr> <td>SIZE: B</td> <td>PART NO. DOCR-07494</td> <td>REV: A</td> </tr> <tr> <td>SCALE: 1:1</td> <td colspan="2">SHEET 1 OF 1</td> </tr> </table>	SIZE: B	PART NO. DOCR-07494	REV: A	SCALE: 1:1	SHEET 1 OF 1	
SIZE: B	PART NO. DOCR-07494	REV: A							
SCALE: 1:1	SHEET 1 OF 1								