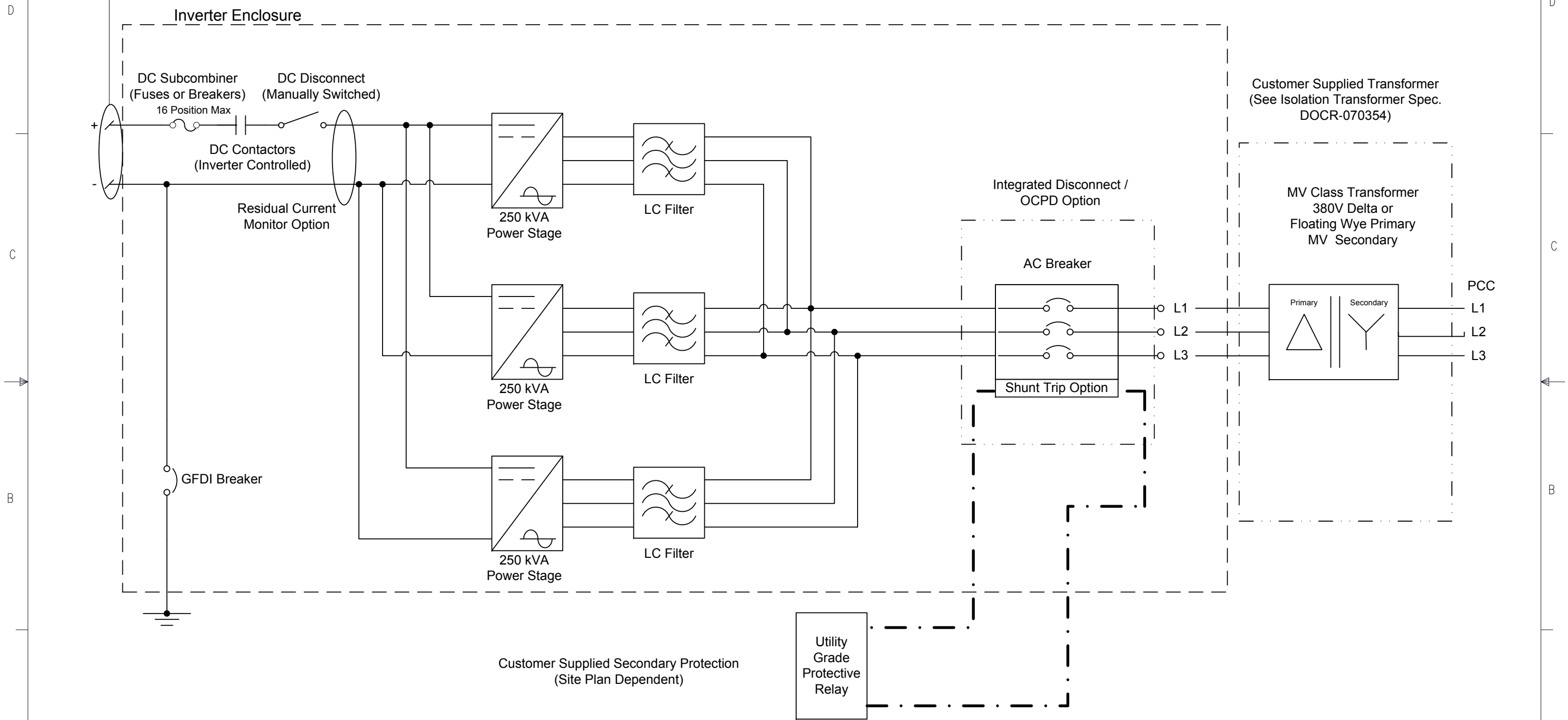



REVISIONS				
REV	EC #	DESCRIPTION	DRAWN	DATE
A	1019	INITIAL RELEASE	JFILLION	11/14/2014

Typical Internal Circuit Diagram for Solectria SGI 750XTM Grid-Tied Inverters



DESIGNED	J. FILLION	11-14-14	 WWW.SOLECTRIA.COM COMMERCIAL CONFIDENTIAL						
DRAWN	J. FILLION	11-14-14							
ME CHECKED									
EE CHECKED									
<small>THE INFORMATION CONTAINED IN THIS DRAWING IS THE SOLE PROPERTY OF SOLECTRIA RENEWABLES. ANY REPRODUCTION IN PART OR AS A WHOLE WITHOUT THE WRITTEN PERMISSION OF SOLECTRIA IS PROHIBITED. UNCONTROLLED COPY, REFER TO THE SOLECTRIA RENEWABLES CONTROLLED DOCUMENT DATABASE FOR VERIFICATION OF CURRENT REVISION LEVEL.</small>			<small>TYPICAL INTERNAL CIRCUIT DIAGRAM FOR SOLECTRIA SGI 750XTM GRID-TIED INVERTER</small>						
DIMENSIONS ARE IN	DO NOT UPDATE MANUALLY	DO NOT SCALE	<table border="1"> <tr> <td>SIZE: B</td> <td>PART NO. DOCR-070492</td> <td>REV: A</td> </tr> <tr> <td>SCALE: 1:1</td> <td colspan="2">SHEET 1 OF 1</td> </tr> </table>	SIZE: B	PART NO. DOCR-070492	REV: A	SCALE: 1:1	SHEET 1 OF 1	
SIZE: B	PART NO. DOCR-070492	REV: A							
SCALE: 1:1	SHEET 1 OF 1								