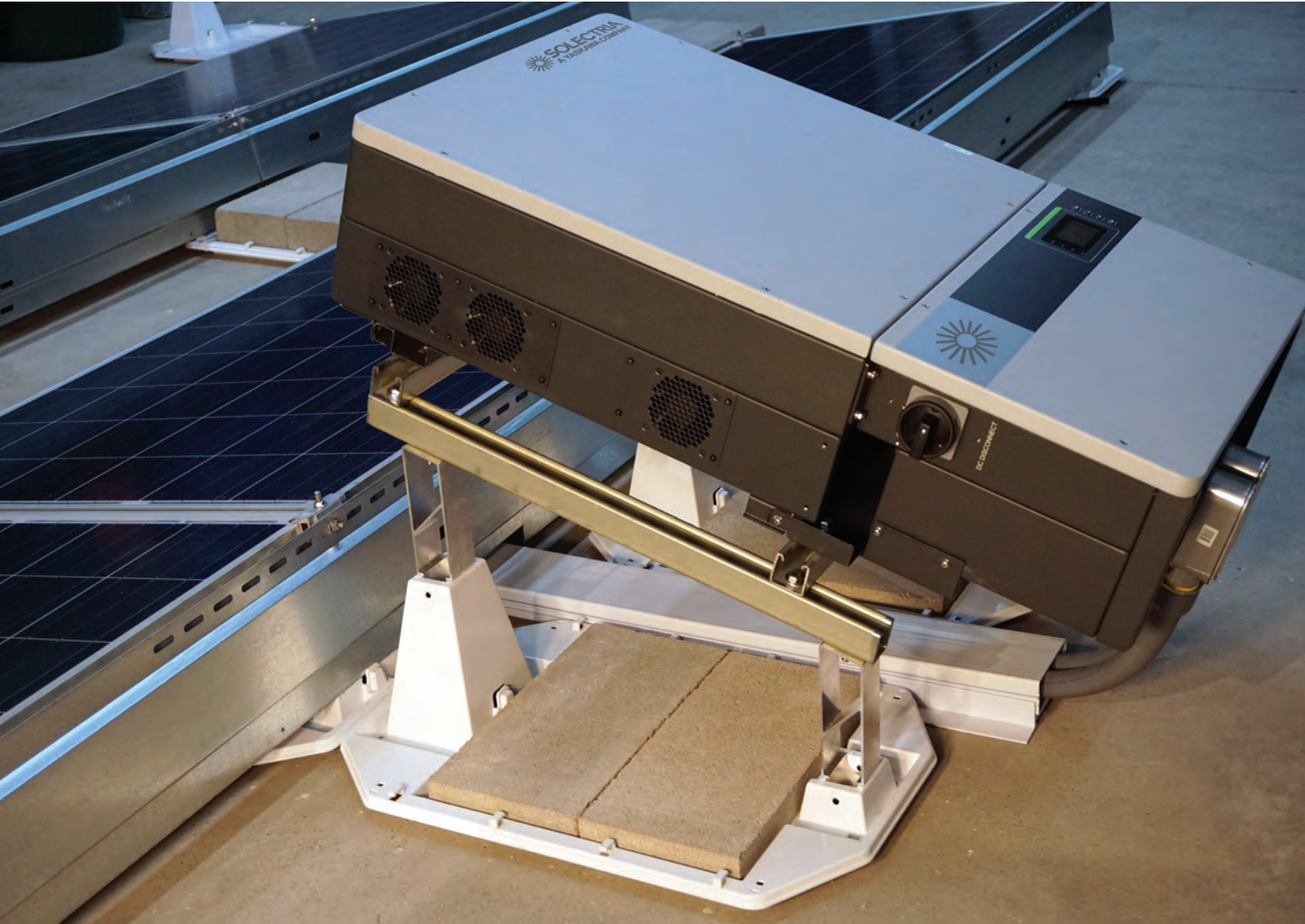


EcoMount[®]

The EcoMount Inverter Kit is an innovative, ballasted rooftop inverter mounting solution, designed to simplify and streamline rooftop inverter deployment. The modular design provides flexibility, simplifies logistics, and simplifies the installation.



Fast.

EcoMount is built upon the EcoFoot2+ mounting system platform, the fastest installing system on the market, as validated by DNV GL.

Simple.

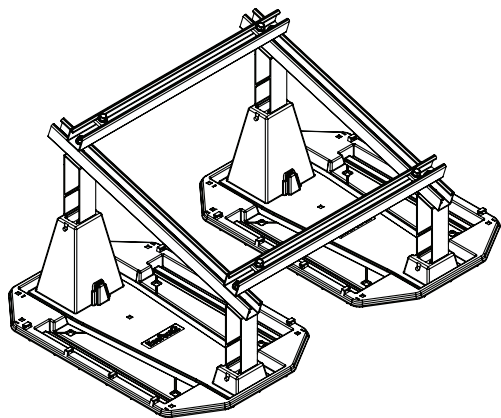
With a single socket size, pre-packaged kits, and a wide range of compatible inverters, EcoMount is quick and easy to deploy.

Supported.

The Ecolibrium engineering and field support teams are ready to provide training and technical support.

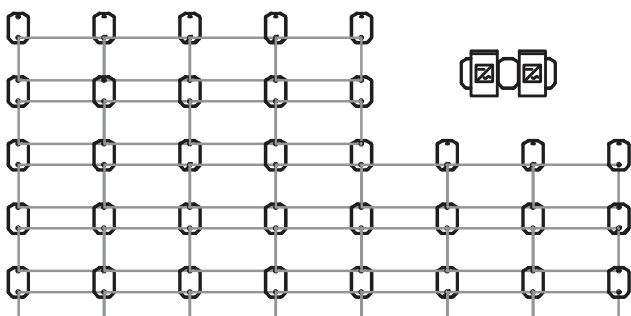


EcoMount®



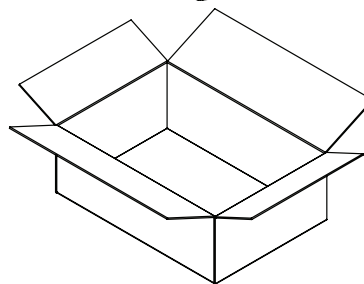
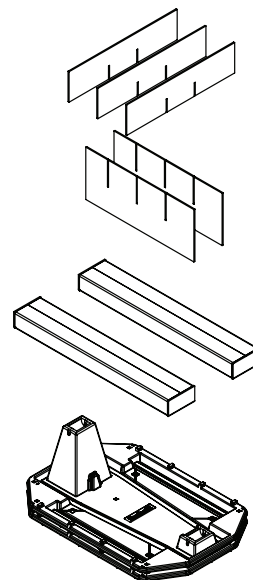
Compact Design

The EcoMount design minimizes the inverter rooftop footprint, allowing installers to meet NEC 690.12 rapid shutdown requirements while not compromising on module density.



Flexible Deployment

The 1 and 2 inverter kits may be combined to meet all project configurations. EcoMount is compatible with all major inverter brands. Up to 5 standard (4"x8"x16") ballast blocks may be placed on each Base to meet even the most demanding conditions.



Simplified Logistics

Each EcoMount Kit is provided in individual boxes. Allowing for small package delivery for small orders and freight delivery for larger orders. Kits are easily deployed to their rooftop location.

Technical Specifications	
Materials	757G Luran S ASA; 6063 T6 Aluminum; G90 Steel; Stainless Steel
Dimensions (Assembled)	1 Inverter Kit: 26.6" (L) x 41" (W) x 18" (H) 2 Inverter Kit: 26.6" (L) x 82" (W) x 18" (H)
Weight (EcoMount)	1 Inverter Kit: ~27lbs. 2 Inverter Kit: ~40lbs.
Inverter Mounting Angle	15°
Inverter Leading Edge Height	≥ 8"
Compatible Inverters	ABB Solar; Chint Power Systems; Fronius; SMA; Solectria
Warranty	15 Years