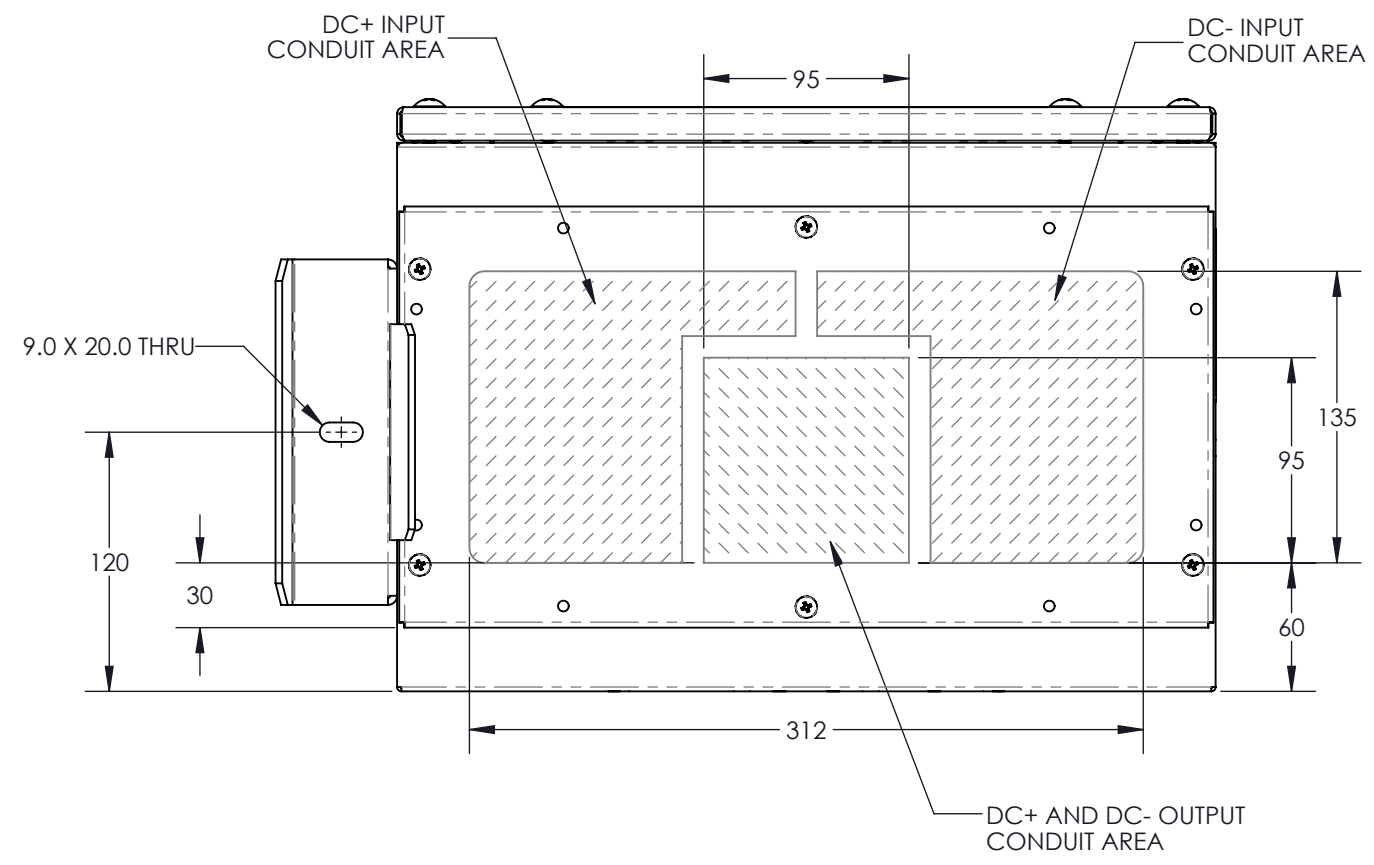
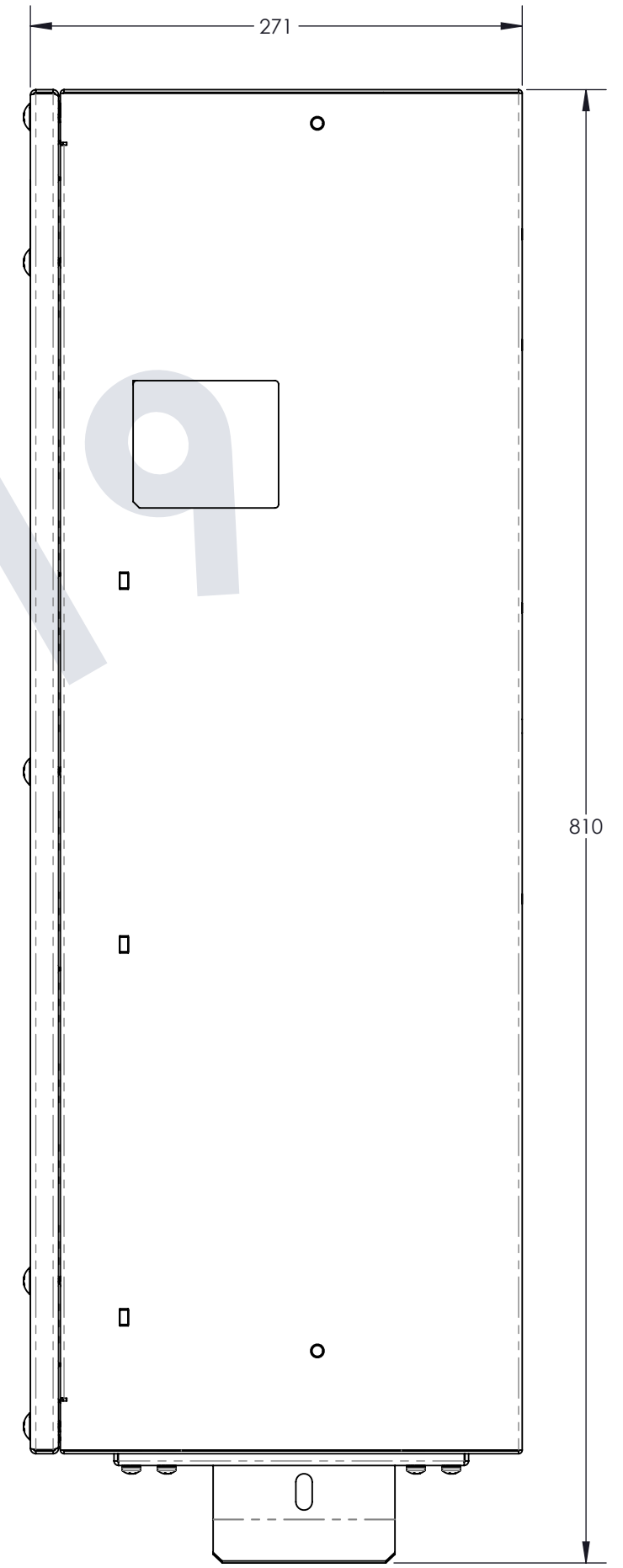
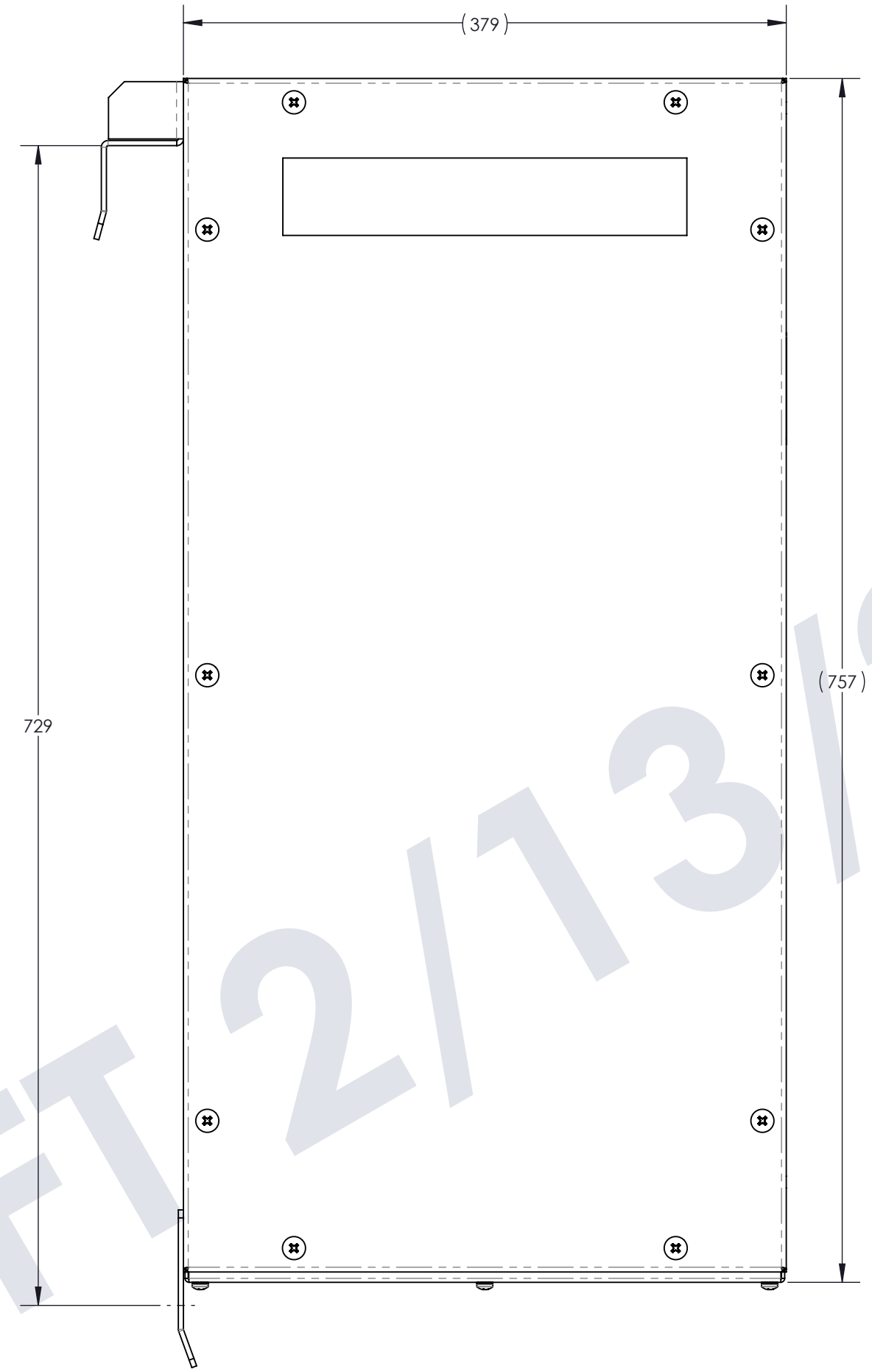
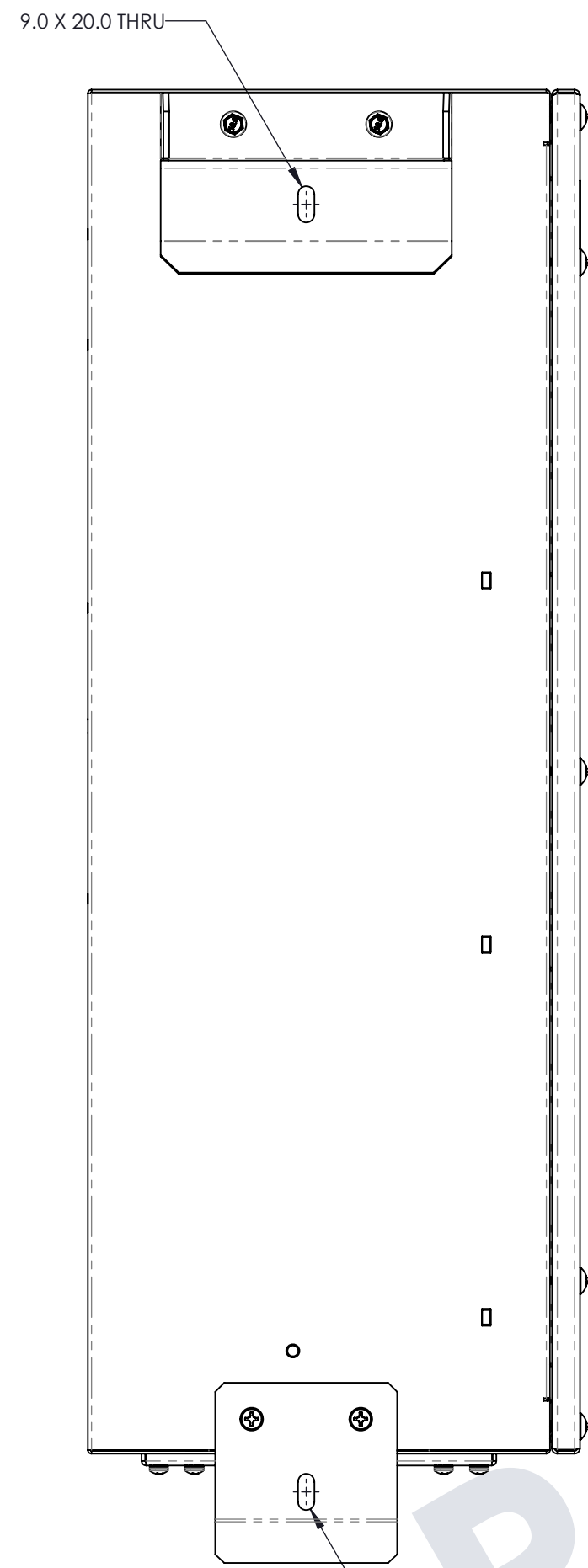


REV		EC#	DESCRIPTION	REVISIONS		DRAWN	DATE
0			INITIAL RELEASE			A. MARINELLA	2/13/2019



- NOTES:
- SEE INSTALLATION AND OPERATION MANUAL FOR XGI 1500 ATTACHED COMBINER FOR FURTHER INSTALLATION REQUIREMENTS.
  - THE 28-POSITION MODEL IS SHOWN IN ALL IMAGES. OTHER AVAILABLE FUSE POSITION QUANTITIES ARE 16, 20, 24, AND 26.

**REACH**  
**RoHS**

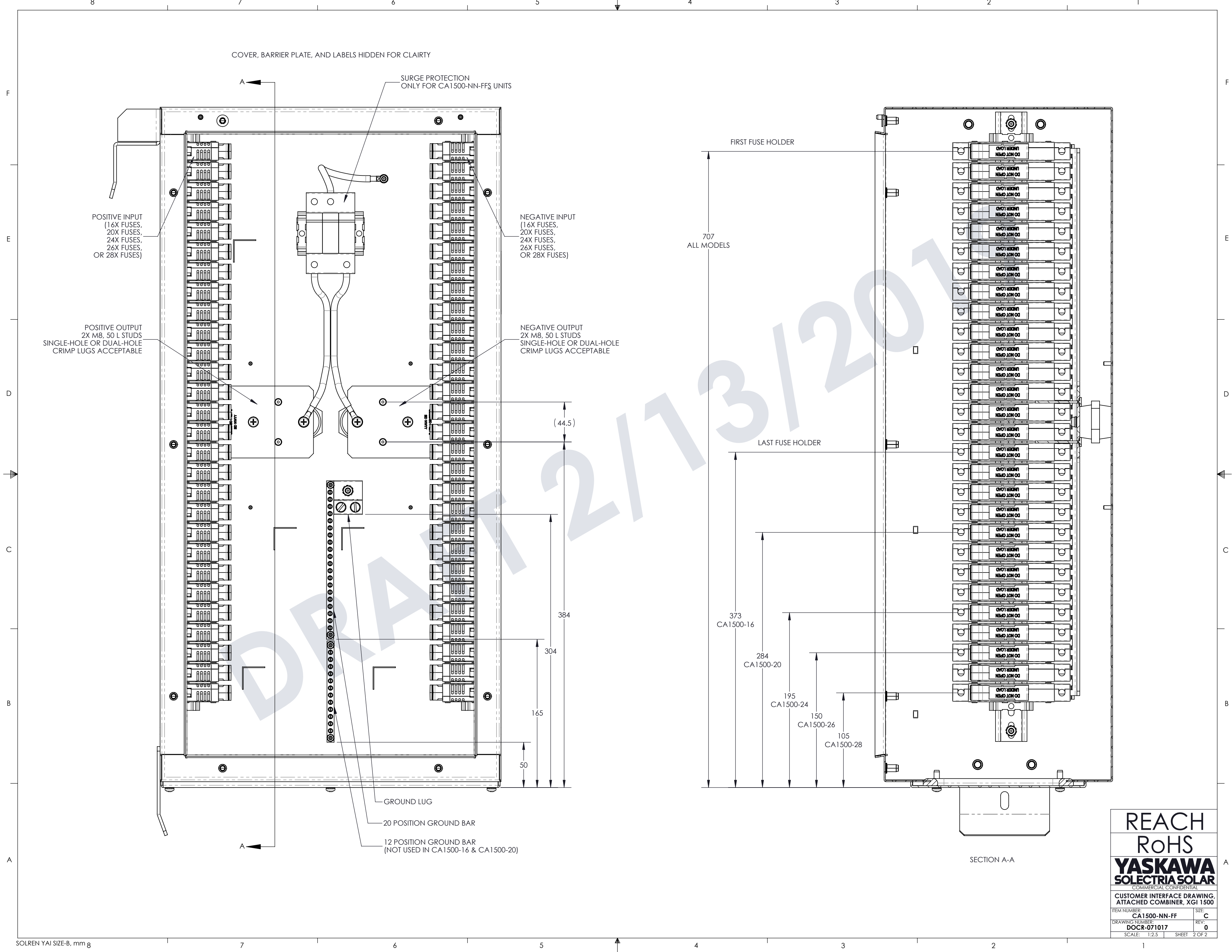
**YASKAWA**  
**SOLECTRIA SOLAR**

COMMERCIAL CONFIDENTIAL

**CUSTOMER INTERFACE DRAWING:**  
**ATTACHED COMBINER, XGI 1500**

ITEM NUMBER: CA1500-NN-FF  
DRAWING NUMBER: DOCR-071017  
SCALE: 1:3.5 SHEET 1 OF 2

DESIGNED	A. MARINELLA	4/26/2019
DRAWN	A. MARINELLA	7/29/2019
CHECKED	C. ROYER	7/29/2019
APPROVED	C. ROYER	7/31/2019
MATERIAL	NOT APPLICABLE	
FINISH	NOT APPLICABLE	
MASS	9.0 kg	
FIRST USED	XGI 1500	
DIMENSIONS ARE IN MILLIMETERS	DO NOT UPDATE MANUALLY	DO NOT SCALE



COVER, BARRIER PLATE, AND LABELS HIDDEN FOR CLARITY

SURGE PROTECTION ONLY FOR CA1500-NN-FFS UNITS

POSITIVE INPUT  
(16X FUSES,  
20X FUSES,  
24X FUSES,  
26X FUSES,  
OR 28X FUSES)

NEGATIVE INPUT  
(16X FUSES,  
20X FUSES,  
24X FUSES,  
26X FUSES,  
OR 28X FUSES)

POSITIVE OUTPUT  
2X M8, 50 L STUDS  
SINGLE-HOLE OR DUAL-HOLE  
CRIMP LUGS ACCEPTABLE

NEGATIVE OUTPUT  
2X M8, 50 L STUDS  
SINGLE-HOLE OR DUAL-HOLE  
CRIMP LUGS ACCEPTABLE

(44.5)

384

304

165

50

GROUND LUG

20 POSITION GROUND BAR

12 POSITION GROUND BAR  
(NOT USED IN CA1500-16 & CA1500-20)

FIRST FUSE HOLDER

707  
ALL MODELS

LAST FUSE HOLDER

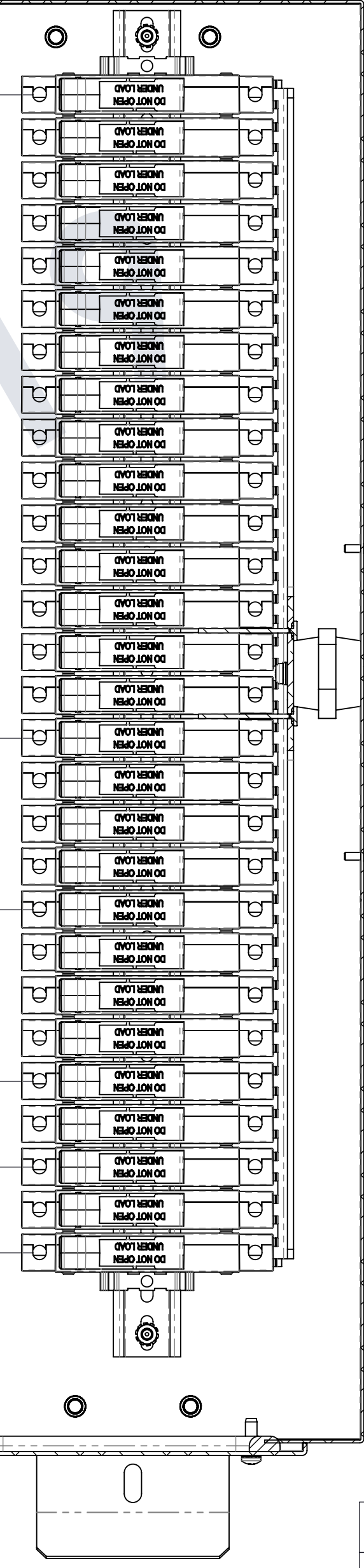
373  
CA1500-16

284  
CA1500-20

195  
CA1500-24

150  
CA1500-26

105  
CA1500-28



SECTION A-A

**REACH**  
**RoHS**  
**YASKAWA**  
**SOLECTRIA SOLAR**  
COMMERCIAL CONFIDENTIAL  
CUSTOMER INTERFACE DRAWING  
ATTACHED COMBINER, XGI 1500

ITEM NUMBER: CA1500-NN-FF	SIZE: C
DRAWING NUMBER: DOCR-071017	REV: 0
SCALE: 1:2.5	SHEET 2 OF 2