

RSDCOM

Commercial Rapid Shutdown Combiner

Features

- Made in the USA with global components
- Buy American Act (BAA) compliant
- Meets NEC array-level rapid shutdown requirements
- Designed for use with Yaskawa Solectria Solar's PVI 14/20/23/28/36/50/60TL inverters, all models of the XGI 1000 inverters, and other 3-phase transformerless inverters**
- Models available with 1, 2 or 3 MPPT zones
- One box installation
- Power output conductors and control can be separate or in same conduit

Options

- Surge arrester (1000V)
- PV fuses (15 A)



Yaskawa Solectria Solar's Rapid Shutdown Combiner offers customers a solution to NEC 2014 and NEC 2017 Article 690.12 requirements for PV array-level rapid shutdown. Powered by site 208, 240 or 480 VAC (L-L) or 24 VDC, this combiner is designed to integrate seamlessly with Yaskawa Solectria Solar's PVI 14/20/23/28/36/50/60TL inverters, all models of the XGI 1000 inverters, and other 3-phase transformerless string inverters with MPPT zone input capacitance less than 65 μ F. Array disconnect is automatic upon loss of AC power at the inverter, per NEC 690.12. Installers may also add an additional remote AC disconnect or switch to enable or disable the rapid shutdown combiner.

MADE IN THE USA



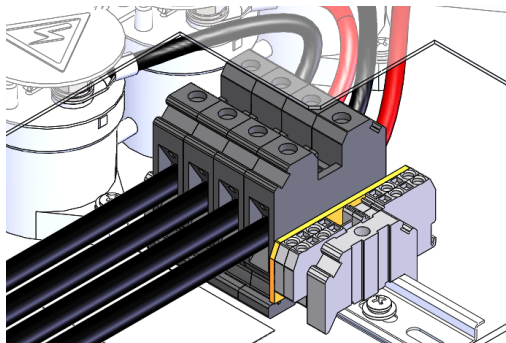
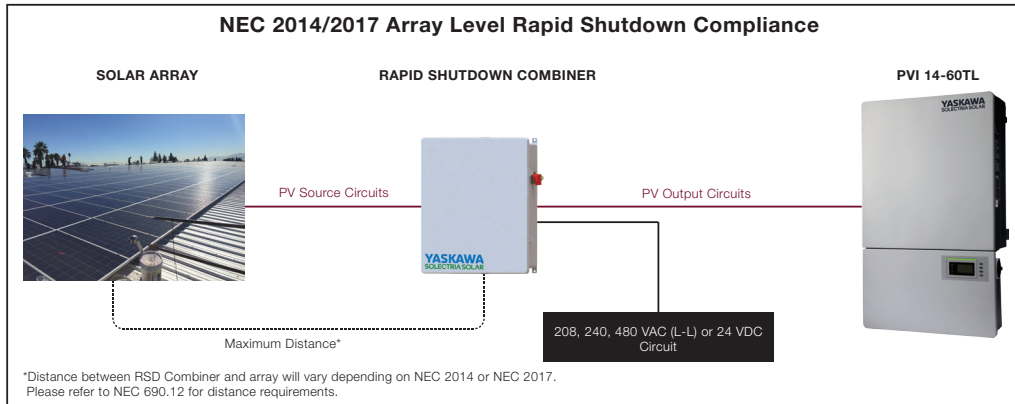
with Global Components

Specifications

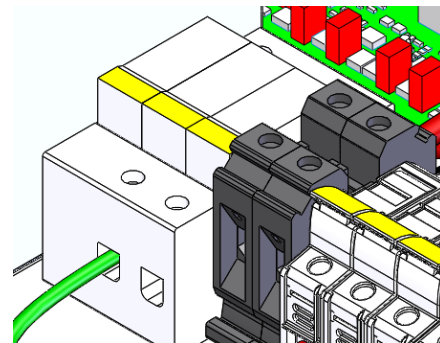
	Commercial Rapid Shutdown Combiner for PVI 14-60TL and XGI 1000 Inverters		
	1 MPPT Zone	2 MPPT Zones	3 MPPT Zones
Absolute Maximum Input Voltage	1000 VDC	1000 VDC	1000 VDC
Number of MPPT Zones	1 MPPT Zone	2 MPPT Zones	3 MPPT Zones
Number of DC Inputs, Options	4 or 5 per Zone	4 or 5 per Zone	4 or 5 per Zone
Fuse Size Compatibility*	15 A, 20 A, 30 A	15 A, 20 A, 30 A	15 A, 20 A, 30 A
Max Current Input (Isc x 1.25)	60 A per Zone	60 A per Zone	60 A per Zone
Dimensions (H x W x D)	14 in. x 12 in. x 6 in. (356 x 309 x 152 mm)	20 in. x 16 in. x 8 in. (508 x 406 x 203 mm)	26 in. x 20 in. x 8 in. (660 x 508 x 203 mm)
Weight	18 lbs (8.2 kg)	29 lbs (13.2 kg)	40 lbs (18.1 kg)
Enclosure Material & Rating	Polycarbonate (Type 4X)	Fiberglass (Type 4X)	Powder-Coated Steel (Type 4) or Fiberglass (Type 4X)
Control Power Options	208 VAC (L-L), 240 VAC (L-L), 480 VAC (L-L) (0.6 A max) or 24 VDC		
Ambient Temperature Range	-40°F to 122°F (-40°C to 50°C)		
Mounting Locations	Outdoor, Wall, Array, Rooftop - Vertical or Horizontal		
Inverter Compatibility**	PVI 14/20/23/28/36/50/60TL and XGI 1000 all models		
Compliance	2014 and 2017 NEC, Article 690.12		
Safety Certification	UL 1741		
Warranty	5 years		

*PV Fuses not included with combiner. Re-use fuses provided with inverters. Fuses also sold separately.

**Compatible with other 3-phase transformerless inverters with MPPT zone input capacitance $\leq 65\mu\text{F}$.



Convenient mechanical terminals handle up to 2AWG Al or Cu conductors



Surge option (1000 VDC)

Specifications subject to change.

SOLECTRIA SOLAR

Yaskawa Solectria Solar
360 Merrimack Street
Lawrence, MA 01843
solectria.com

1-978-683-9700
inverters@solectria.com

DOCR-070743-H | August 2018
© 2018 Yaskawa Solectria Solar

YASKAWA