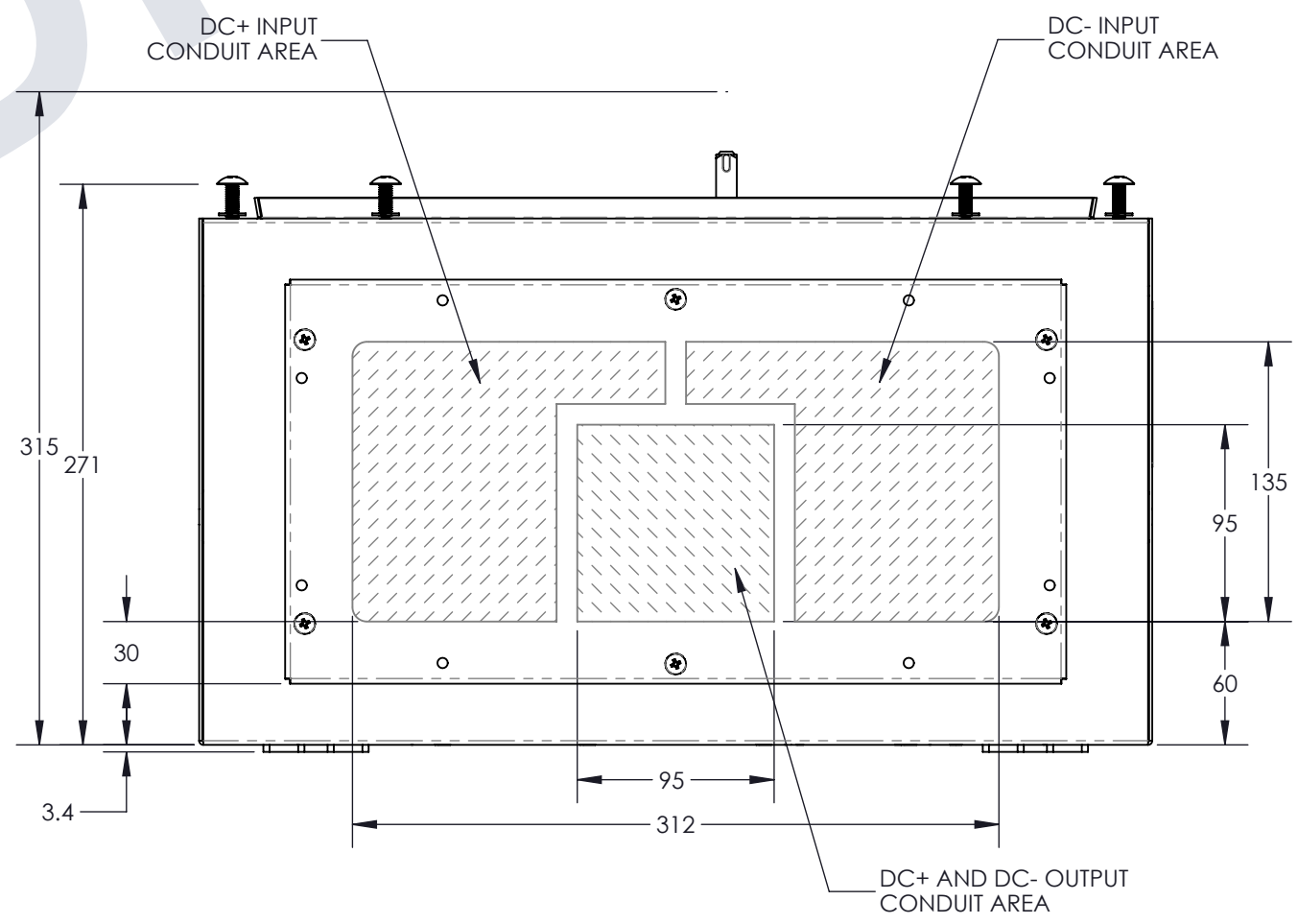
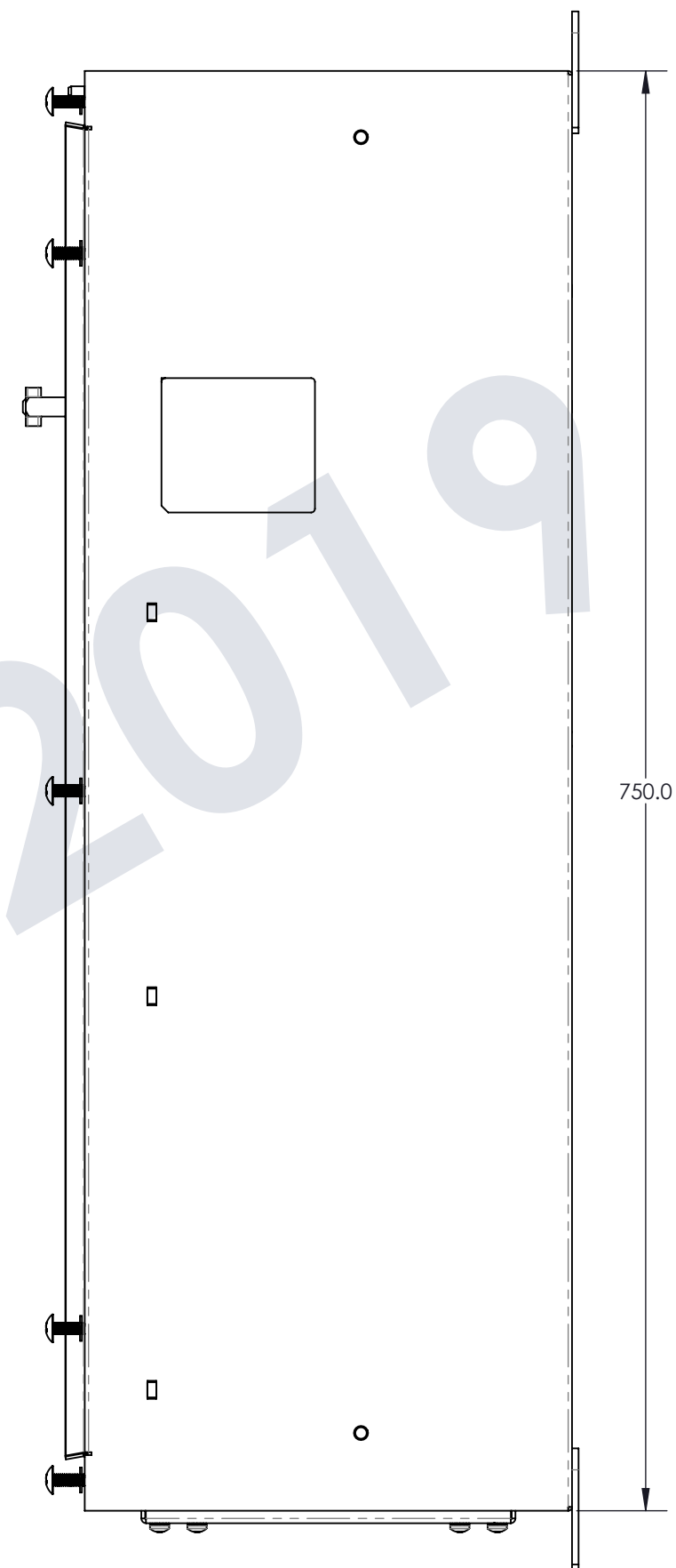
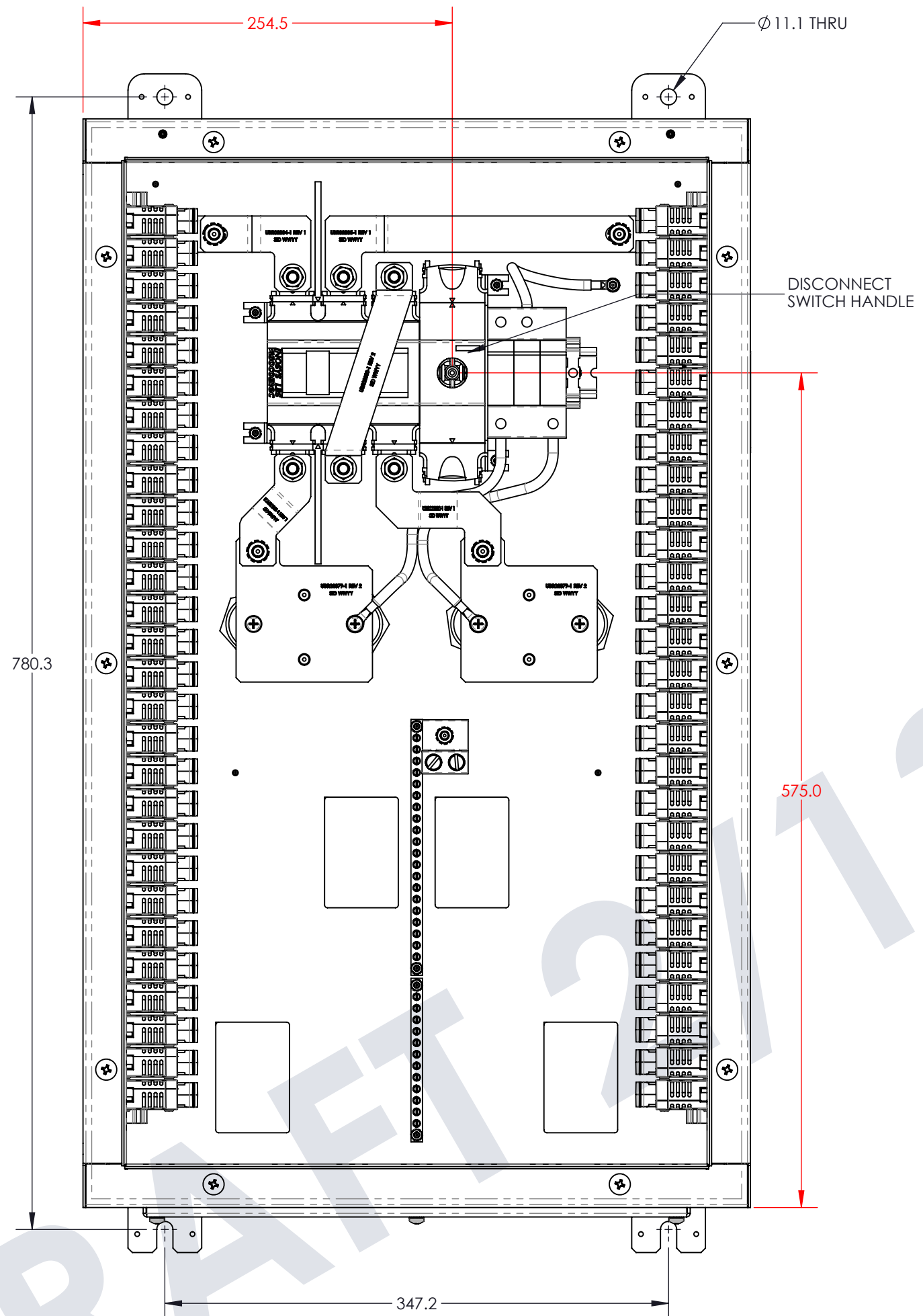


REV		EC#	DESCRIPTION	REVISIONS		DRAWN	DATE
0		-	INITIAL RELEASE			A. MARINELLA	2/13/2019



- NOTES:
- SEE INSTALLATION AND OPERATION MANUAL FOR XGI 1500 ATTACHED COMBINER FOR FURTHER INSTALLATION REQUIREMENTS.
 - THE 28-POSITION MODEL IS SHOWN IN ALL IMAGES. OTHER AVAILABLE FUSE POSITION QUANTITIES ARE 16, 20, 24, AND 26.

GENERAL TOLERANCES: X ±1 XX ±0.5 XXX ±0.1 XXXX ±0.05 ANGLES ±1.0	BREAK ALL SHARP EDGES AND DEBURK DRAWINGS PER ASME Y14.5-2014	DESIGNED DRAWN CHECKED APPROVED	A. MARINELLA A. MARINELLA C. ROYER C. ROYER	4/26/2019 7/29/2019 7/29/2019 7/31/2019
3RD ANGLE PROJECTION	SURFACE FINISH	MATERIAL	NOT APPLICABLE	
		FINISH	NOT APPLICABLE	
		MASS	9.9 kg	
		FIRST USED	XGI 1500	
THIS DOCUMENT AND INFORMATION CONTAINED IN IT ARE CONFIDENTIAL AND CANNOT BE COPIED OR DISCLOSED IN WHOLE OR IN PART WITHOUT EXPRESSED WRITTEN CONSENT OF YASKAWA SOLECTRIA SOLAR		DO NOT UPDATE MANUALLY	DO NOT SCALE	

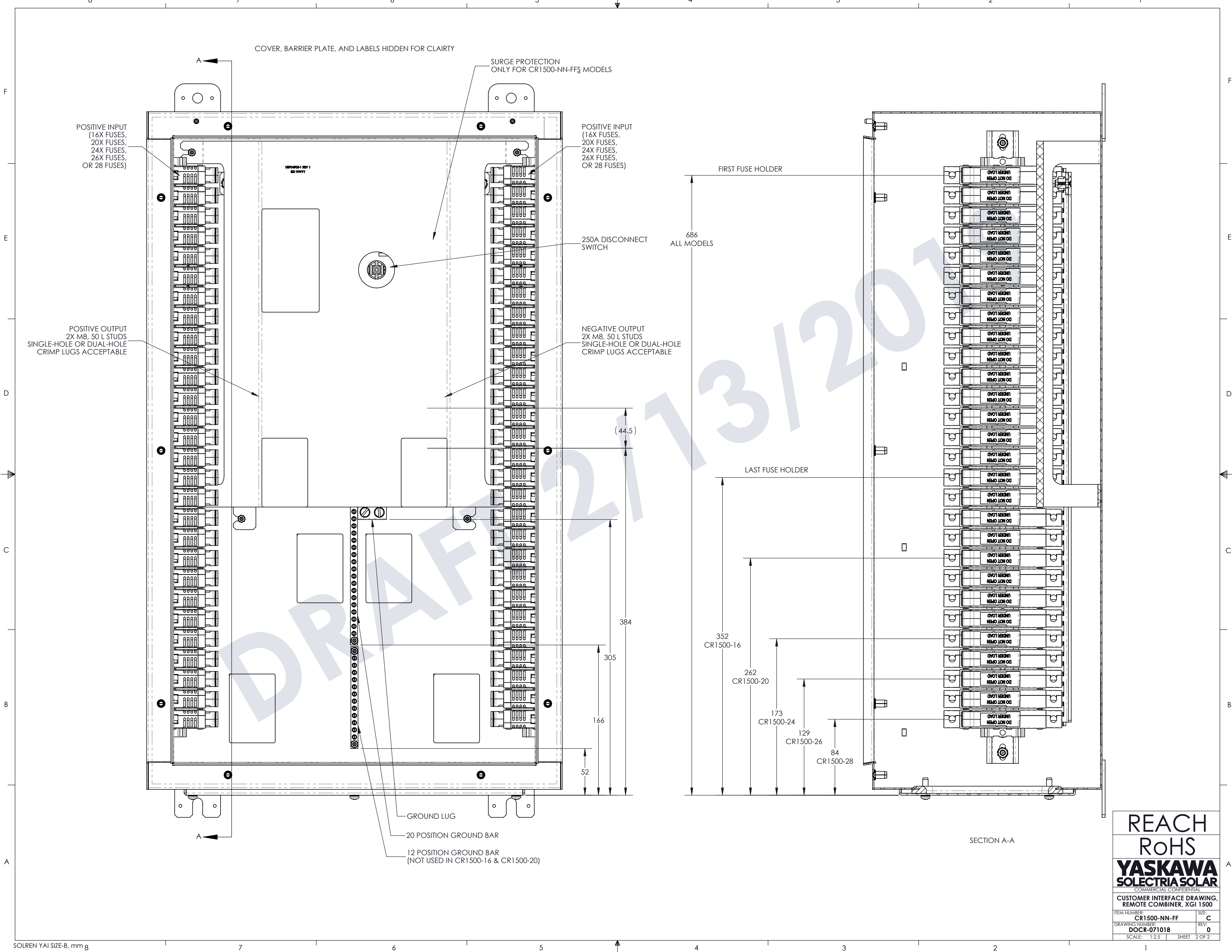
REACH
RoHS

YASKAWA
SOLECTRIA SOLAR

COMMERCIAL CONFIDENTIAL

**CUSTOMER INTERFACE DRAWING,
REMOTE COMBINER, XGI 1500**

ITEM NUMBER: CR1500-NN-FF	SIZE: C
DRAWING NUMBER: DOCR-071018	REV: 0
SCALE: 1:3.5	SHEET 1 OF 2



REACH
RoHS

YASKAWA
SOLECTRIA SOLAR

COMMERCIAL CONFIDENTIAL

CUSTOMER INTERFACE DRAWING
REMOTE COMBINER, XGI 1500

ITEM NUMBER: CR1500-NN-FF	SIZE: C
DRAWING NUMBER: DOCR-071018	REV: 0
SCALE: 1:2.5	SHEET 2 OF 2